



ABL1500 Hardware Manual

Revision: 1.03.00



Global Technical Support

Go to www.aerotech.com/global-technical-support for information and support about your Aerotech products. The website provides downloadable resources (such as up-to-date software, product manuals, and Help files), training schedules, and PC-to-PC remote technical support. You can also complete Product Return (RMA) forms and get information about repairs and spare or replacement parts. For immediate help, contact a service office or your sales representative. Have your customer order number available before you call or include it in your email.

United States (World Headquarters)	
Phone: +1-412-967-6440 Fax: +1-412-967-6870 Email: service@aerotech.com	101 Zeta Drive Pittsburgh, PA 15238-2811 www.aerotech.com
United Kingdom	Japan
Phone: +44 (0)1256 855055 Fax: +44 (0)1256 855649 Email: service@aerotech.co.uk	Phone: +81 (0)50 5830 6814 Fax: +81 (0)43 306 3773 Email: service@aerotechkk.co.jp
Germany	China
Phone: +49 (0)911 967 9370 Fax: +49 (0)911 967 93720 Email: service@aerotechgmbh.de	Phone: +86 (21) 5508 6731 Email: service@aerotech.com
France	Taiwan
Phone: +33 2 37 21 87 65 Email: service@aerotech.co.uk	Phone: +886 (0)2 8751 6690 Email: service@aerotech.tw

This manual contains proprietary information and may not be reproduced, disclosed, or used in whole or in part without the express written permission of Aerotech, Inc. Product names mentioned herein are used for identification purposes only and may be trademarks of their respective companies.

Copyright © 2008-2018, Aerotech, Inc., All rights reserved.

Aerotech Worldwide

United States ■ France ■ Germany ■ United Kingdom
China ■ Japan ■ Taiwan



Table of Contents

ABL1500 Hardware Manual	1
Table of Contents	3
List of Figures	4
List of Tables	5
Safety Procedures and Warnings	7
EU Declaration of Incorporation	9
Chapter 1: Overview	11
1.1. Environmental Specifications	12
1.2. Accuracy and Temperature Effects	12
1.3. Basic Specifications	13
1.4. Air Requirements	15
Chapter 2: Installation	17
2.1. Unpacking and Handling the Stage	17
2.2. Dimensions	19
2.3. Securing the Stage to the Mounting Surface	20
2.4. Attaching the Payload to the Stage	22
Load Capability	22
Chapter 3: Electrical Specifications and Installation	25
3.1. Motor and Feedback Connectors	26
3.2. Motor and Feedback Wiring	29
3.3. Motor and Feedback Specifications	30
3.4. Limits, Marker, and Machine Direction	32
3.5. Motor and Feedback Phasing	33
Chapter 4: Maintenance	35
4.1. Service and Inspection Schedule	35
4.2. Cleaning and Lubrication	35
4.2.1. Cleaning Process	36
4.3. Troubleshooting	37
Appendix A: Warranty and Field Service	39
Appendix B: Revision History	41
Index	43

List of Figures

Figure 1-1: Air Fitting Locations 15

Figure 2-1: Lifting Features and Shipping Clamps 18

Figure 2-2: ABL1500 Dimensions 19

Figure 2-3: Surface Mounting Screws 21

Figure 2-4: Cantilevered Load Capability 22

Figure 2-5: Cantilever Length Diagram 23

Figure 2-6: Pitch Offsets 24

Figure 2-7: Yaw Offsets 24

Figure 3-1: Connector Locations 25

Figure 3-2: Motor and Feedback Wiring 29

Figure 3-3: Machine Direction 32

Figure 3-4: Hall Phasing 33

Figure 3-5: Analog Encoder Phasing Reference Diagram 34

Figure 3-6: Encoder Phasing Reference Diagram (Standard) 34

Figure 4-1: Air Bearing Surfaces and Encoder Scales Require Periodic Cleaning 36

List of Tables

Table 1-1: Model Numbers and Ordering Options	11
Table 1-2: Environmental Specifications	12
Table 1-3: ABL1500 Series Specifications	13
Table 1-4: Air Specifications	15
Table 3-1: Motor Connector Pinouts	27
Table 3-2: Feedback Connector Pinouts	28
Table 3-3: Feedback Specifications	30
Table 3-4: Encoder Specifications	31
Table 3-5: BLMC-192 Motor Specifications	31
Table 4-1: Recommended Cleaning Solvents	35

This page intentionally left blank.

Safety Procedures and Warnings

Read this manual in its entirety before installing, operating, or servicing this product. If you do not understand the information contained herein, contact an Aerotech representative before proceeding. Strictly adhere to the statements given in this section and other handling, use, and operational information given throughout the manual to avoid injury to you and damage to the equipment.

The following statements apply wherever the Warning or Danger symbol appears within this manual. Failure to observe these precautions could result in serious injury to those individuals performing the procedures and/or damage to the equipment.



DANGER: This product contains potentially lethal voltages. To reduce the possibility of electrical shock, bodily injury, or death the following precautions must be followed.

1. Access to the ABL1500 and component parts must be restricted while connected to a power source.
2. Do not connect or disconnect any electrical components or connecting cables while connected to a power source.
3. Disconnect electrical power before servicing equipment.
4. All components must be properly grounded in accordance with local electrical safety requirements.
5. Operator safeguarding requirements must be addressed during final integration of the product.
6. **PINCH POINT!** Keep Hands Clear while the stage is in motion.



WARNING: To minimize the possibility of electrical shock, bodily injury or death the following precautions must be followed.

1. Moving parts can cause crushing or shearing injuries. Access to all stage and motor parts must be restricted while connected to a power source.
2. Cables can pose a tripping hazard. Securely mount and position all system cables to avoid potential hazards.
3. Do not expose this product to environments or conditions outside of the listed specifications. Exceeding environmental or operating specifications can cause damage to the equipment.
4. The ABL1500 stage must be mounted securely. Improper mounting can result in injury and damage to the equipment.
5. Use care when moving the ABL1500 stage. Lifting or transporting the ABL1500 stage improperly can result in injury or damage to the ABL1500.
6. This product is intended for light industrial manufacturing or laboratory use. Use of this product for unintended applications can result in injury and damage to the equipment.
7. If the product is used in a manner not specified by the manufacturer, the protection provided by the product can be impaired and result in damage, shock, injury, or death.
8. The stage forcer temperature may exceed 75°C.
9. Operators must be trained before operating this equipment.
10. All service and maintenance must be performed by qualified personnel.
11. Eye protection must be worn when in the proximity of compressed air components.

This page intentionally left blank.

EU Declaration of Incorporation

Manufacturer: Aerotech, Inc.
 101 Zeta Drive
 Pittsburgh, PA 15238-2811
 USA

herewith declares that the product:

ABL1500 Stage

is intended to be incorporated into machinery to constitute machinery covered by the Directive 2006/42/EC as amended; and that the following harmonized European standards have been applied:

- EN ISO 12100:2010 Safety of machinery - Basic concepts, general principles for design
- EN 60204-1:2010 Safety of machinery - Electrical equipment of machines - Part 1: General requirements

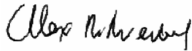
and further more declares that

it is not allowed to put the equipment into service until the machinery into which it is to be incorporated or of which it is to be a component has been found and declared to be in conformity with the provisions of the Directive 2006/42/EC and with national implementing legislation, i.e., as a whole, including the equipment referred to in this Declaration.

This is to certify that the aforementioned product is in accordance with the applicable requirements of the following Directive(s):

- 2011/65/EU RoHS 2 Directive

Authorized Representative: Simon Smith, European Director
Address: Aerotech Ltd
 The Old Brick Kiln, Ramsdell, Tadley
 Hampshire RG26 5PR
 UK

Name  / Alex Weibel
Position Engineer Verifying Compliance
Location Pittsburgh, PA
Date 12/18/2018



This page intentionally left blank.

Chapter 1: Overview

NOTE: Aerotech continually improves its product offerings; listed options may be superseded at any time. All drawings and illustrations are for reference only and were complete and accurate as of this manual's release. Refer to www.aerotech.com for the most up-to-date information.

Table 1-1: Model Numbers and Ordering Options

ABL1500 Series Linear Air-Bearing Stage	
-050	50 mm travel
-100	100 mm travel
-200	200 mm travel
-300	300 mm travel
-400	400 mm travel
-500	500 mm travel
Feedback (Required)	
-E1	Incremental linear encoder, 1 Vpp amplified sine output
-E2	Incremental linear encoder, 0.1 μ m TTL line driver output
-E3	High-accuracy incremental linear encoder, 1 Vpp amplified sine output
Cable Management (Required)	
-CMS1	Single axis cable management system
-CMS2	Cable management system for XY assembly
-CMS3	Cable management system for Y axis, upper axis only
-CMS4	Cable management system for YZ assembly, upper axis only
Metrology (Required)	
-PL1	Metrology, uncalibrated with performance plots
-PL2	Metrology, calibrated (HALAR) with performance plots
Accessories (to be ordered as separate line item)	
ALIGN-NPA	Non-precision XY assembly
ALIGN-PA10	XY assembly; 10 arc sec orthogonality. Alignment to within 7 microns orthogonality for short travel stages.
ALIGN-PA5	XY assembly; 5 arc sec orthogonality. Alignment to within 3 microns orthogonality for short travel stages.
ABF	Air-bearing filtration kit

1.1. Environmental Specifications



WARNING: Do not expose this product to environments or conditions outside of the listed specifications. Exceeding environmental or operating specifications can cause damage to the equipment.

Table 1-2: Environmental Specifications

Ambient Temperature	Operating: 16° to 25° C (61° to 77° F) The optimal operating temperature is 20° C ±2° C (68° F ±4° F). If at any time the operating temperature deviates from 20° C degradation in performance could occur.
	Storage: 0° to 40° C (32° to 104° F) in original shipping packaging
Humidity	Operating: 20% to 60% RH
	Storage: 10% to 70% RH, non-condensing in original packaging. The stage should be packaged with desiccant if it is to be stored for an extended time.
Altitude	Operating: 0 m to 2,000 m (0 ft to 6,562 ft) above sea level Contact Aerotech if your specific application involves use above 2,000 m or below sea level.
Vibration	Use the system in a low vibration environment. Excessive floor or acoustical vibration can affect system performance. Contact Aerotech for information regarding your specific application.
Protection Rating	ABL1500 stages are not suited for dusty or wet environments. This equates to an ingress protection rating of IP00.
Use	Indoor use only

1.2. Accuracy and Temperature Effects

Due to the small clearances in the air bearing design, extreme temperature environments could cause a decrease in performance or permanent damage to the stage. Standard Aerotech air-bearing stages are designed for and built in a 20°C (68°F) environment. The environmental temperature must be controlled to within 0.25°C per 24 hours to ensure that the ABL1500 specifications are repeatable over an extended period of time. The severity of temperature effects on all specifications depends on many different environmental conditions, including how the ABL1500 is mounted. Contact the factory for more details.

The -E1 and -E2 encoder scale in the ABL1500 stage has a coefficient of thermal expansion (CTE) of $3.25 \times 10^{-6} / ^\circ\text{C}$. The -E3 encoder scale has a CTE of $7.5 \times 10^{-6} / ^\circ\text{C}$. As the stage deviates from 20°C, travel of the stage as seen by the encoder will change per the appropriate thermal expansion rate.

1.3. Basic Specifications

Table 1-3: ABL1500 Series Specifications

Basic Model			ABL1500-050	ABL1500-010	ABL1500-020
Travel			50 mm	100 mm	200 mm
Accuracy ⁽¹⁾	E1	Calibrated	±0.3 µm	±0.3 µm	±0.5 µm
		Standard	±2.0 µm	±4.0 µm	±8.0 µm
	E3	Calibrated	±0.2 µm	±0.2 µm	±0.4 µm
		Standard	±1.0 µm	±2.0 µm	±5.0 µm
Repeatability (Bi-Directional) ⁽¹⁾	E1		±0.1 µm	±0.2 µm	±0.2 µm
	E3		±0.05 µm	±0.05 µm	±0.1 µm
Straightness ⁽¹⁾			±0.25 µm	±0.4 µm	±0.5 µm
Flatness ⁽¹⁾			±0.25 µm	±0.4 µm	±0.5 µm
Pitch			±0.5 arc sec	±1.0 arc sec	±2.0 arc sec
Roll			±0.5 arc sec	±1.0 arc sec	±2.0 arc sec
Yaw			±0.5 arc sec	±1.0 arc sec	±2.0 arc sec
Maximum Speed ⁽¹⁾			2.0 m/s		
Maximum Acceleration			2 g (no load)		
Maximum Force (Continuous)			93.6 N		
Load Capacity ⁽²⁾	Horizontal		35.0 kg		
	Side		25.0 kg		
Operating Pressure			80 psi ±5 psig		
Air Consumption			24-30 SLPM @ 551 kPa		
Moving Mass (no load)			5.1 kg		
Stage Mass			14.7 kg	16.0 kg	18.6 kg
Material			Aluminum		
Mean Time Between Failure			30,000 Hours		

(1) Certified with each stage.

(2) Axis orientation for on-axis loading is listed (refer to [Section 2.4](#) for offset loading behavior).

NOTES:

- Specifications are for single-axis systems measured 25 mm above the tabletop; performance of multi-axis system is payload and workpoint dependent. Consult the Aerotech factory for multi-axis or non-standard applications.
- To protect air bearing against under-pressure, an in-line pressure switch tied to the motion controller/amplifier E-Stop is recommended.
- Air supply must be clean, dry to 0° F dew point and filtered to 0.25 µm or better. Recommend nitrogen at 99.9% purity.
- For XY configurations, the maximum upper axis travel is 200 mm. For upper axis travels greater than 200 mm but equal to or less than 500 mm, an ABL1500WB is required as the lower axis.

ABL1500 Series Specifications (continued)

Basic Model		ABL1500-300	ABL1500-400	ABL1500-500
Travel		300 mm	400 mm	500 mm
Accuracy ⁽¹⁾	E1	Calibrated	±0.5 µm	±0.6 µm
		Standard	±12.0 µm	±16.0 µm
	E3	Calibrated	±0.4 µm	±0.5 µm
		Standard	±5.0 µm	±5.0 µm
Repeatability (Bi-Directional) ⁽¹⁾	E1	±0.2 µm	±0.3 µm	±0.3 µm
	E3	±0.15 µm	±0.2 µm	±0.2 µm
Straightness ⁽¹⁾		±0.75 µm	±1.5 µm	±2.0 µm
Flatness ⁽¹⁾		±0.75 µm	±1.5 µm	±2.0 µm
Pitch		±3 arc sec	±4 arc sec	±5 arc sec
Roll		±3 arc sec	±4 arc sec	±5 arc sec
Yaw		±3 arc sec	±4 arc sec	±5 arc sec
Maximum Speed		2.0 m/s		
Maximum Acceleration		2 g (no load)		
Maximum Force (Continuous)		93.6 N		
Load Capacity ⁽²⁾	Horizontal	35.0 kg		
	Side	25.0 kg		
Operating Pressure		80 psi ±5 psig		
Air Consumption		24-30 SLPM @ 551 kPa		
Moving Mass (no load)		5.1 kg		
Stage Mass		21.3 kg	23.9 kg	26.5 kg
Material		Aluminum		
Mean Time Between Failure		30,000 Hours		

(1) Certified with each stage.

(2) Axis orientation for on-axis loading is listed (refer to [Section 2.4](#) for offset loading behavior).

NOTES:

- Specifications are for single-axis systems measured 25 mm above the tabletop; performance of multi-axis system is payload and workpoint dependent. Consult the Aerotech factory for multi-axis or non-standard applications.
- To protect air bearing against under-pressure, an in-line pressure switch tied to the motion controller/amplifier E-Stop is recommended.
- Air supply must be clean, dry to 0° F dew point and filtered to 0.25 µm or better. Recommend nitrogen at 99.9% purity.
- For XY configurations, the maximum upper axis travel is 200 mm. For upper axis travels greater than 200 mm but equal to or less than 500 mm, an ABL1500WB is required as the lower axis.

1.4. Air Requirements

The quality of the air that you supply to the stage is important to the operation of the stage. Aerotech recommends that you connect the air supply to the air inlet with a polyurethane air hose.

Table 1-4: Air Specifications

		Description
Air Quality	Nitrogen ⁽¹⁾	<ul style="list-style-type: none"> 99.99% pure filtered⁽²⁾ to 0.25 microns
	Compressed Air	<ul style="list-style-type: none"> filtered⁽²⁾ to 0.25 microns dry to 0° F dew point oil free
Operating Air Pressure		80 psi ± 5 psi (517 to 551 kPa)
Air Consumption		24-30 SLPM @ 551 kPa
Air Inlet Fitting ⁽³⁾		4 mm or 5/32" OD Hose
(1) Recommended		
(2) The filtration requirement is to prevent particles from clogging the air bearing orifices.		
(3) Aerotech recommends using a polyurethane air hose		

Aerotech also recommends that you install a pressure switch (P/N: MCA03094) tied to the motion controller's emergency stop (ESTOP) that will remove power to the air bearing if pressure drops below 40 psi (a drop in pressure could result in contact between bearing surfaces which could cause damage to the surfaces). For easier air-supply setup, you can purchase pneumatic kits and filter/filter-dryer kits from Aerotech. Aerotech's ABF Air Filtration Unit incorporates air filtration plus a pressure monitoring switch.

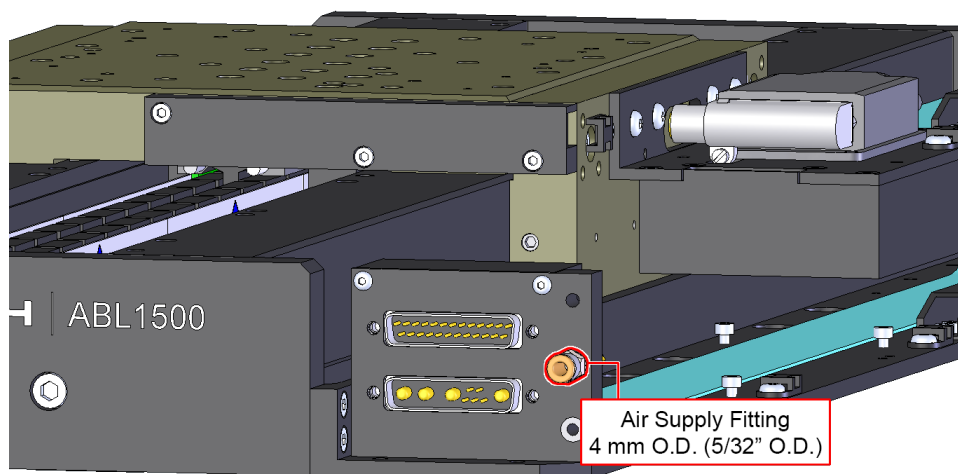


Figure 1-1: Air Fitting Locations

This page intentionally left blank.

Chapter 2: Installation



WARNING: ABL1500 installation must be in accordance to instructions provided by this manual and any accompanying documentation. Failure to follow these instructions could result in injury or damage to the equipment.

2.1. Unpacking and Handling the Stage



DANGER/HEAVY: Do not attempt to manually lift the ABL1500. Refer to for stage mass specifications.

- Lift only with the supplied lifting hardware and lifting straps.
- Use the eyebolts in conjunction with lifting straps.
- The lifting straps should be configured to pull on the eyebolts in the vertical direction only.
- Do not use the tabletop or cable as lifting points.



WARNING: It is the customer's responsibility to safely and carefully lift the stage.

- Make sure that all moving parts are secure before moving the ABL1500. Unsecured moving parts may shift and cause bodily injury.
- Improper handling could adversely affect the performance of the ABL1500. Use care when moving the ABL1500.

NOTE: If any damage has occurred during shipping, report it immediately.

Carefully remove the ABL1500 from its protective shipping container. Use the lifting equipment to gently set the ABL1500 on a smooth, flat, and clean surface.

Before operating the ABL1500, it is important to let it stabilize at room temperature for at least 12 hours. Allowing it to stabilize to room temperature will ensure that all of the alignments, preloads, and tolerances are the same as they were when tested at Aerotech. Use compressed nitrogen or clean, dry, oil-less air to remove any dust or debris that has collected during shipping.

Lifting Hardware

ABL1500 stages come equipped with lifting bars and eyebolts attached to the stage as shown in [Figure 2-1](#). For multi-axis assemblies, always lift the system by the lower axis. Lifting by the upper axis may disturb precision alignments on the system.

Each ABL1500 has a label listing the system part number and serial number. These numbers contain information necessary for maintaining or updating system hardware and software. Locate this label and record the information for later reference.

Shipping Clamps

Red, anodized aluminum shipping brackets have been installed to prevent unwanted motion and potential damage from occurring during shipment. The brackets must be removed before the ABL1500 can be operated. Retain the brackets and hardware for future use.



WARNING: Do not attempt to move the carriage (or table top) of the ABL1500 until the shipping brackets have been removed. Moving the carriage with the shipping brackets installed can cause permanent damage to the ABL1500.

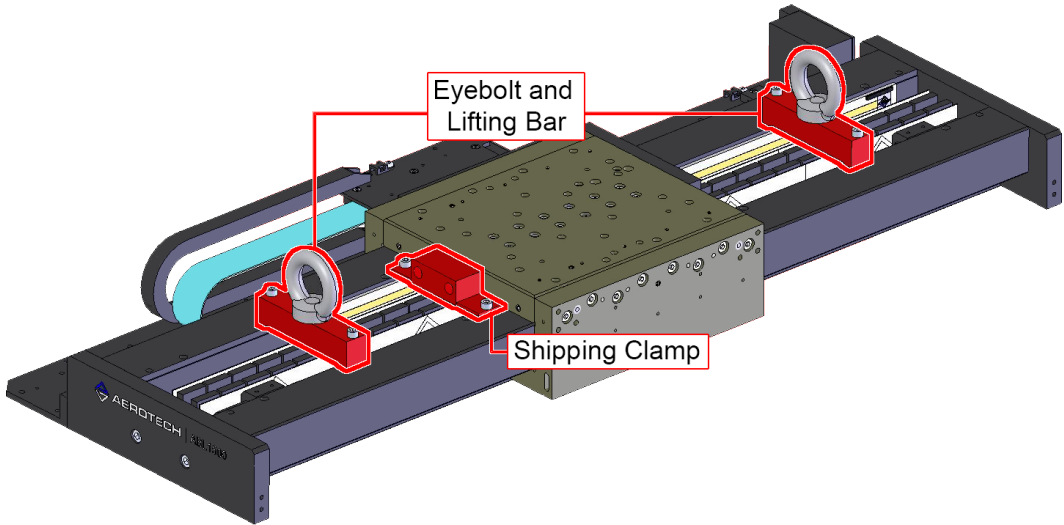
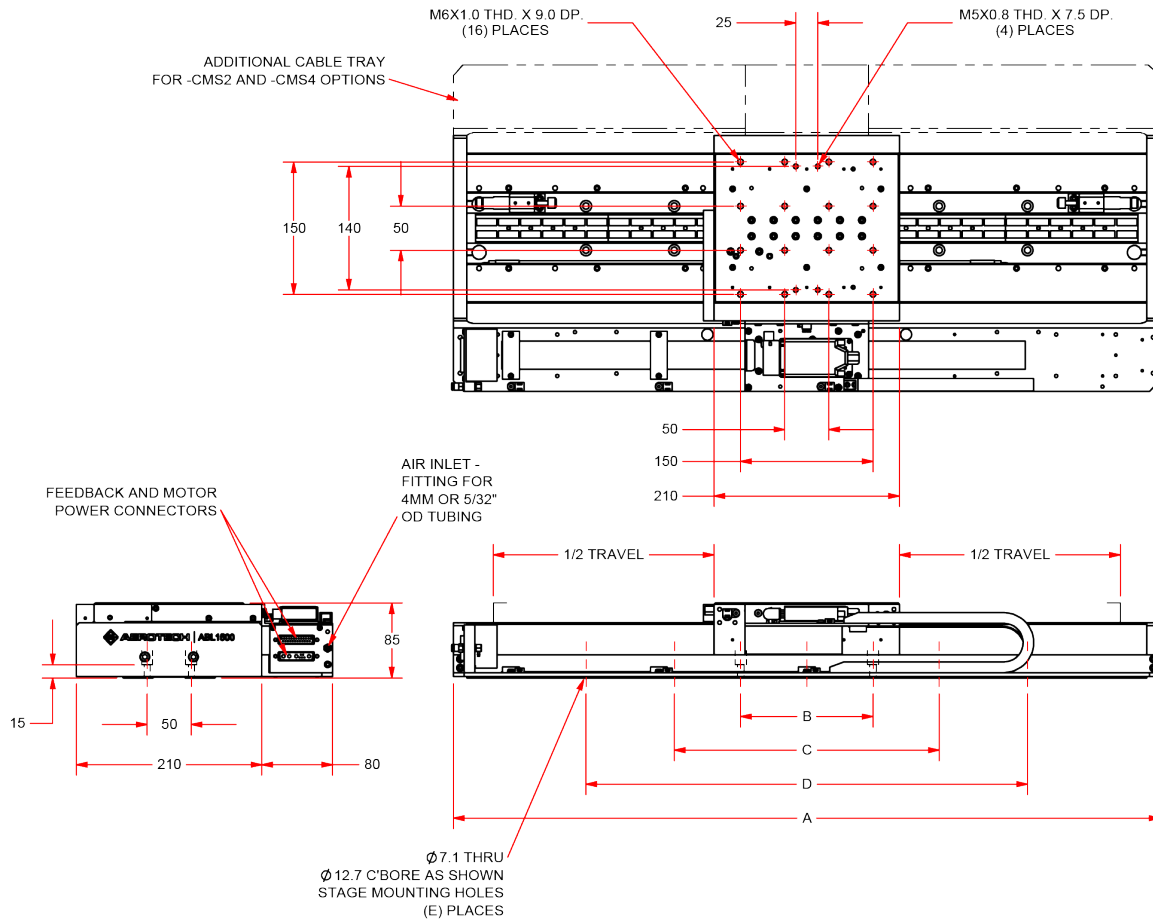


Figure 2-1: Lifting Features and Shipping Clamps

NOTE : After removing the lifting features or shipping brackets, retain them for future use. Do not transport or ship the ABL1500 without the lifting features or shipping brackets attached.

2.2. Dimensions



BASIC MODEL	NOMINAL TRAVEL	ELEC LIMIT TRAVEL	MECH LIMIT TRAVEL	DIMENSIONS - MILLIMETERS				
				A	B	C	D	E
ABL1500-050	50	60	105	350	150	-	-	4
ABL1500-100	100	110	155	400	150	-	-	4
ABL1500-200	200	210	255	500	150	250	-	10
ABL1500-300	300	310	355	600	150	300	-	10
ABL1500-400	400	410	455	700	150	300	450	14
ABL1500-500	500	510	555	800	150	300	500	14

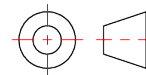


Figure 2-2: ABL1500 Dimensions

2.3. Securing the Stage to the Mounting Surface

The mounting surface must be flat and have adequate stiffness in order to achieve the maximum performance from the ABL1500 stage. When it is mounted to a non-flat surface, the stage can be distorted as the mounting screws are tightened. This distortion will decrease overall accuracy. Adjustments to the mounting surface must be done before the stage is secured.



WARNING: Make sure that all moving parts are secure before moving the ABL1500. Unsecured moving parts may shift and cause bodily injury.



DANGER: Strong rare-earth magnets are present in the linear motor magnet track. Loose metal objects (tools, watches, keys, etc.) may cause personal injury and/or damage to the equipment.



WARNING: The ABL1500 must be mounted securely. Improper mounting can result in injury and damage to the equipment.

NOTE: To maintain accuracy, the mounting surface must be flat to within 2.5 μm per 300 mm.

NOTE: The stage base is precision machined and verified for flatness prior to stage assembly at the factory. If machining is required to achieve the desired flatness, it should be performed on the mounting surface rather than the stage base. Shimming should be avoided if possible. If shimming is required, it should be minimized to improve the rigidity of the system.

Procedure for ABL1500 mounting:



WARNING: Do not attempt to move the carriage of the ABL1500 until the air supply, detailed in [Section 1.4.](#), has been installed. Moving the stage table without air supplied can cause permanent damage to the stage.

1. Prepare the mounting surface and bottom of the stage base with precision flatstones to remove any burrs or high spots.
2. Clean the mounting surface and bottom of the stage with the appropriate cleaners (acetone or isopropyl alcohol for the stage bottom) and a lint free cloth.
3. Place the stage on the mounting surface.
4. Remove the lifting equipment and shipping clamps ([Figure 2-1](#)). Save the brackets for future use.
5. Turn on the air supply to the air bearing.
6. Slide the air bearing carriage to one end of travel. Insert M6 socket head cap screws with flat washers into the exposed mounting locations. Do not fully tighten at this time, but bring within 1/4 turn of screw head engagement.

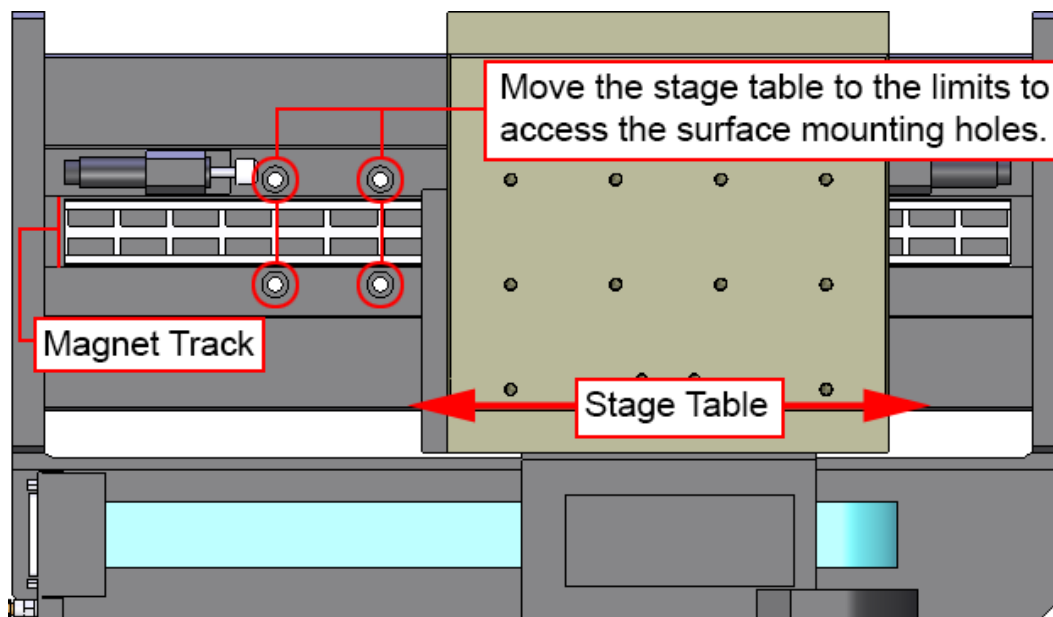


Figure 2-3: Surface Mounting Screws

7. Slide the air-bearing carriage to the opposite end of travel and insert the remaining mounting screws with flat washers.
8. Tighten the mounting screws (begin from the center out for best accuracy). The typical torque value for M6 socket head cap screws is 7 N·m.

2.4. Attaching the Payload to the Stage

To prevent damage to the payload or stage, test the operation of the stage before the payload is attached. Aerotech recommends that customers use a representative payload during start-up to prevent accidental damage to the stage and the payload. Proceed with the electrical installation and test the motion control system in accordance with the system documentation. Document all results for future reference. For information on electrical installation refer to [Chapter 3](#) and the documentation delivered with the stage.

NOTE: If your ABL1500 was purchased with Aerotech controls, it might have been tuned with a representative payload based on the information provided at the time of order. If the ABL1500 is started up without a payload, the servo gains provided by Aerotech with the shipment may not be appropriate and servo instability can occur. Refer to the controller help file for tuning assistance.

The payload must be flat, rigid, and comparable to the stage in quality to maintain optimum performance.

NOTE: For valid system performance, the mounting interface should be flat within 2.5 μm .

Load Capability

Applied loads should be symmetrically distributed whenever possible (i.e., the payload should be centered on the stage table and the entire stage should be centered on the support structure).

If cantilevered loads are applied, refer to [Figure 2-4](#) to find the maximum allowable load.

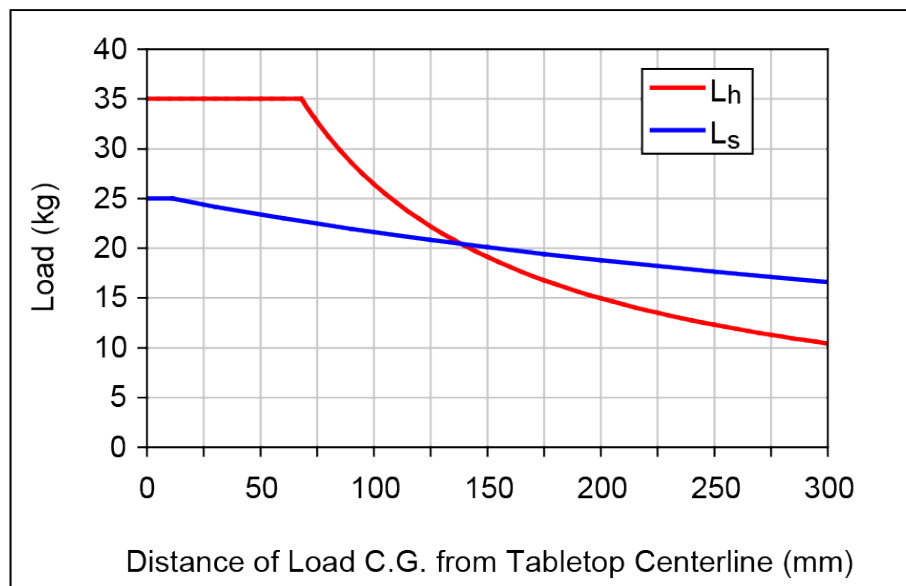


Figure 2-4: Cantilevered Load Capability

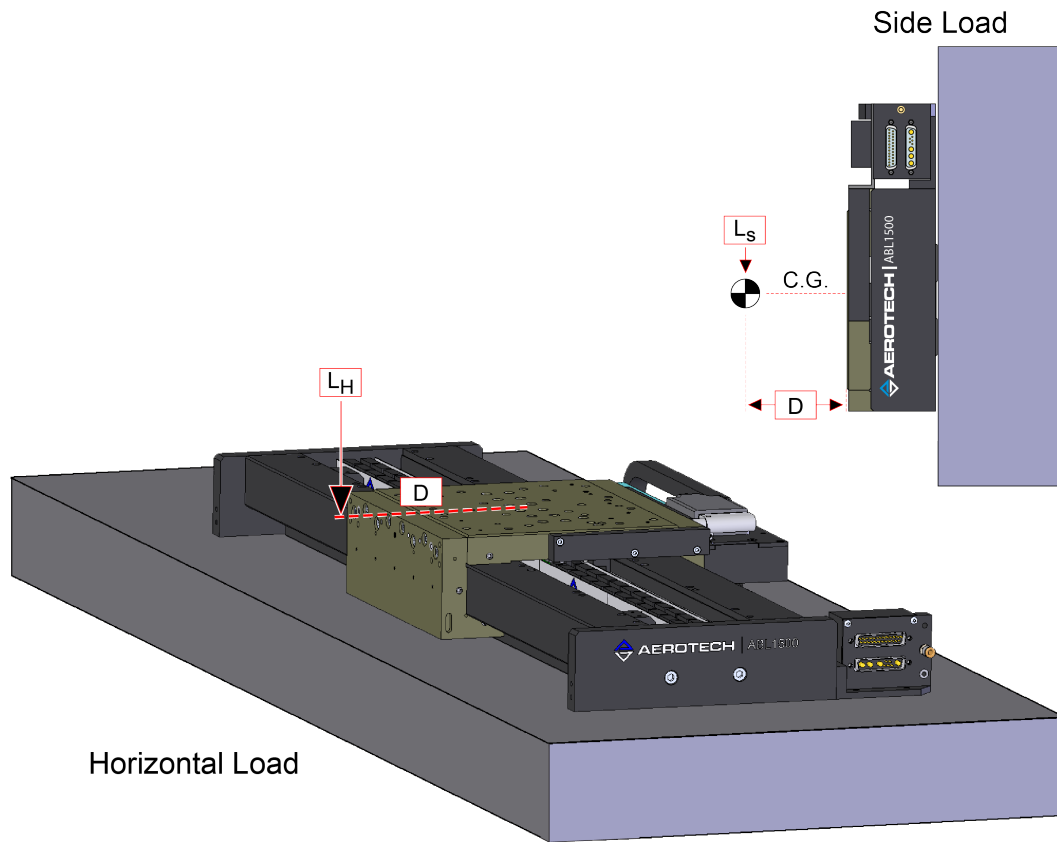


Figure 2-5: Cantilever Length Diagram

Figure 2-6 and Figure 2-7 show the relationships between mass carried by the stage and maximum acceleration capabilities of the stage. Peak acceleration capabilities are given. The maximum acceleration possible for the ABL1500 series stages is 2g.

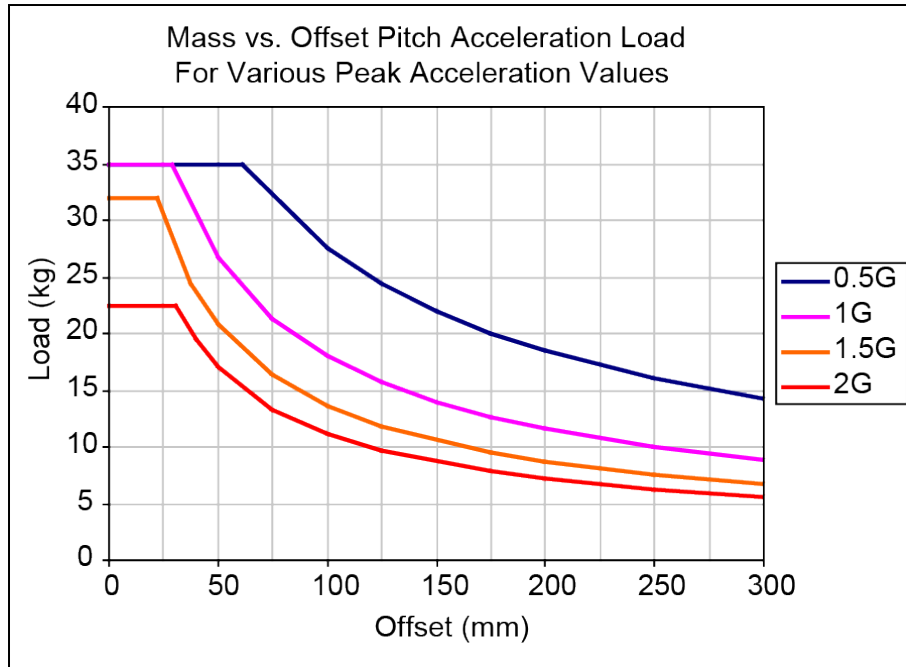


Figure 2-6: Pitch Offsets

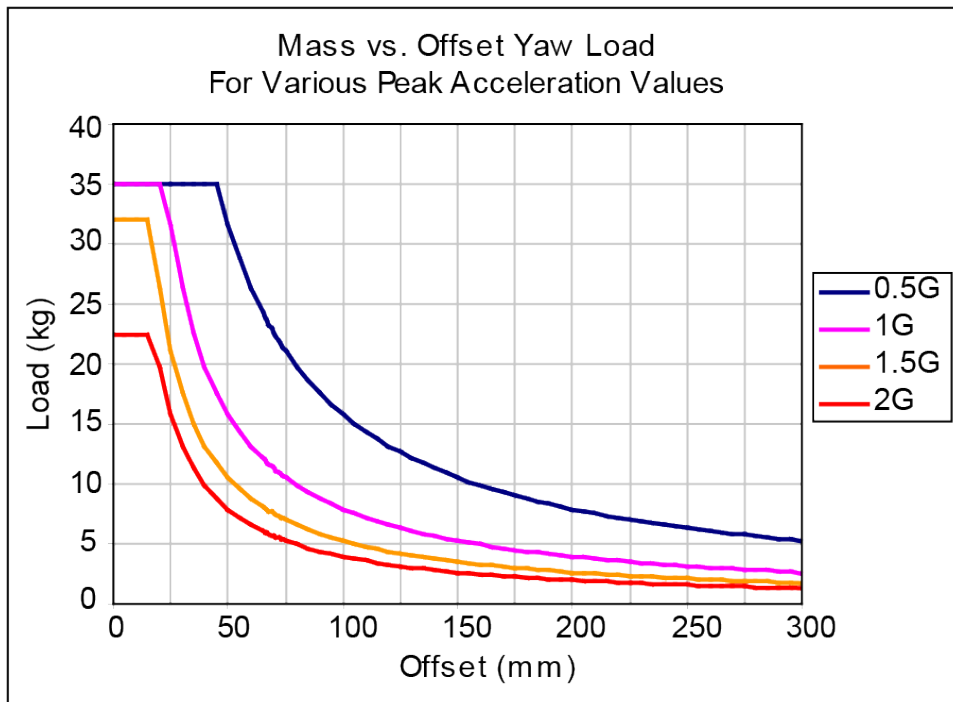


Figure 2-7: Yaw Offsets

Chapter 3: Electrical Specifications and Installation



WARNING: Electrical installation must be performed by properly qualified personnel.

Aerotech motion control systems are adjusted at the factory for optimum performance. When the ABL1500 is part of a complete Aerotech motion control system, setup usually involves connecting the ABL1500 to the appropriate drive chassis with the cables provided. Labels on the system components usually indicate the appropriate connections.

If system level integration was purchased, an electrical drawing showing system interconnects has been supplied with the system (separate from this documentation).

The electrical wiring from the motor and encoder are integrated at the factory. Refer to the sections that follow for standard motor wiring and connector pinouts.

The stage and its carriage are protected from dangerous faults by an integral safety ground through the stage's motor power cable. In addition, a spot faced safety ground connection point (shown in [Figure 3-1](#)) is provided on the stage endplate for customer use.



WARNING: Applications requiring access to the stage while it is energized will require additional grounding and safeguards. The System Integrator or qualified installer is responsible for determining and meeting all safety and compliance requirements necessary for the integration of this stage into the final application.



DANGER: Remove power before connecting or disconnecting electrical components or cables. Failure to do so may cause electric shock or damage to the equipment.



WARNING: Operator access to the base and tabletop must be restricted while connected to a power source. Failure to do so may cause electric shock.

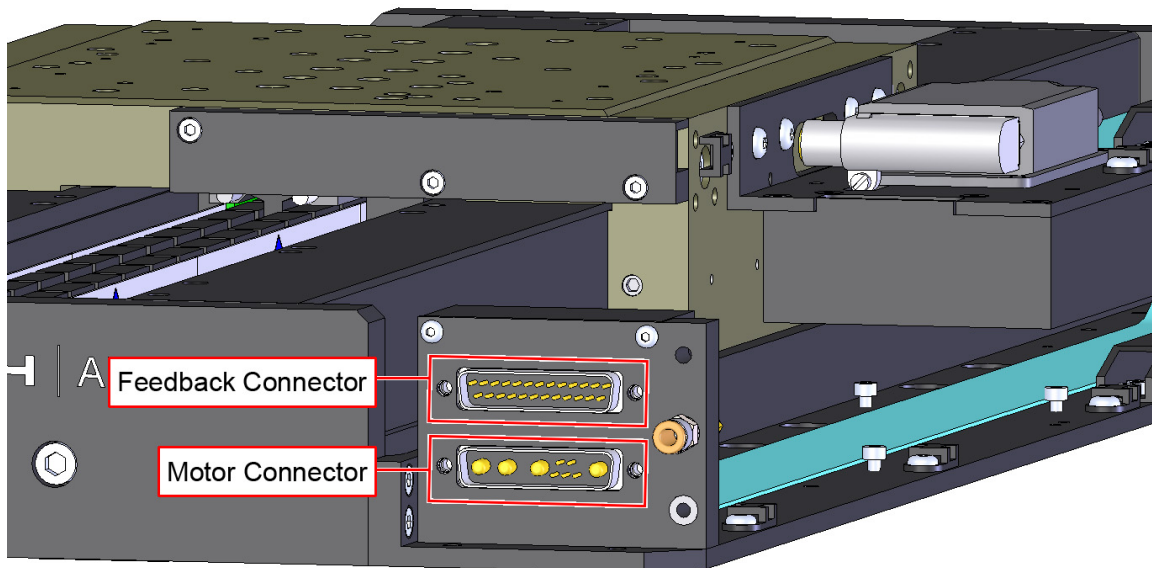


Figure 3-1: Connector Locations

3.1. Motor and Feedback Connectors

Stages equipped with standard motors and encoders come from the factory completely wired and assembled.

NOTE: Refer to the other documentation accompanying your Aerotech equipment. Call your Aerotech representative if there are any questions on system configuration.

The protective ground connection of the ABL1500 provides motor frame ground protection only. Additional grounding and safety precautions are required for applications requiring access to the stage while it is energized. The System Integrator or qualified installer is responsible for determining and meeting all safety and compliance requirements necessary for the integration of this stage into the final application.



DANGER: Remove power before connecting or disconnecting electrical components or cables. Failure to do so may cause electric shock or damage to the equipment.



WARNING: The protective ground connection must be properly installed to minimize the possibility of electric shock.



WARNING: Operator access to the base and tabletop must be restricted while connected to a power source. Failure to do so may cause electric shock.



CAUTION: The stage controller must provide over-current and over-speed protection. Failure to do so may result in permanent damage to the motor and stage components.

Table 3-1: Motor Connector Pinouts

Pin	Description	Connector	
		Base	Carriage ⁽¹⁾
A1	Motor Phase A		
A2	Motor Phase B		
A3	Motor Phase C		
1	Reserved		
2	Reserved		
3	Reserved		
4	Reserved		
5	Reserved		
A4	Frame ground (motor protective ground)		

1. Available with -Y-CMS option

Mating Connector	Aerotech P/N	Third Party P/N
Base Backshell	ECK00656	Amphenol #17E-1726-2
Base Sockets [QTY. 4]	ECK00659	ITT Cannon #DM53744-6
Base Connector	ECK00657	ITT Cannon #DBM9W4SA197
Carriage Backshell ⁽¹⁾	ECK00656	Amphenol #17E-1726-2
Carriage Connector ⁽¹⁾	ECK00101	FCI DB25P064TXLF

1. Available with -Y-CMS option

Table 3-2: Feedback Connector Pinouts

Pin	Description	Connector	
1	Signal shield connection		
2	Over-Temperature Thermistor sensor		
3	+5 V power supply		
4	Reserved		
5	Hall Effect sensor, phase B		
6	Marker-N		
7	Marker		
8	Reserved		
9	Reserved		
10	Hall Effect sensor, phase A		
11	Hall Effect sensor, phase C		
12 ⁽¹⁾	Signal indicating maximum travel produced by positive/CW stage direction.		
13	Reserved		
14	Cosine		
15	Cosine-N		
16	+5 V power supply		
17	Sine		
18	Sine-N		
19	Reserved		
20	Limit Common		
21	Encoder Common		
22	Reserved		
23	Reserved		
24	Signal indicating maximum travel produced by negative/CCW stage direction		
25	Reserved		
Case	Signal shield connection (to case)		

1. Available with -Y-CMS option

Mating Connector	Aerotech P/N	Third Party P/N
Base Backshell	ECK00656	Amphenol #17E-1726-2
Base Connector	ECK00300	FCI DB25S064TLF
Carriage Backshell ⁽¹⁾	ECK00656	Amphenol #17E-1726-2
Carriage Connector ⁽¹⁾	ECK00101	FCI DB25P064TXLF

1. Available with -Y-CMS option

3.2. Motor and Feedback Wiring

All motor and controller manufacturers have their own designations for motor phases A/B/C and Hall signals A/B/C (refer to Section 3.5. for motor phasing). Shielded cables are required for the motor and feedback connections.

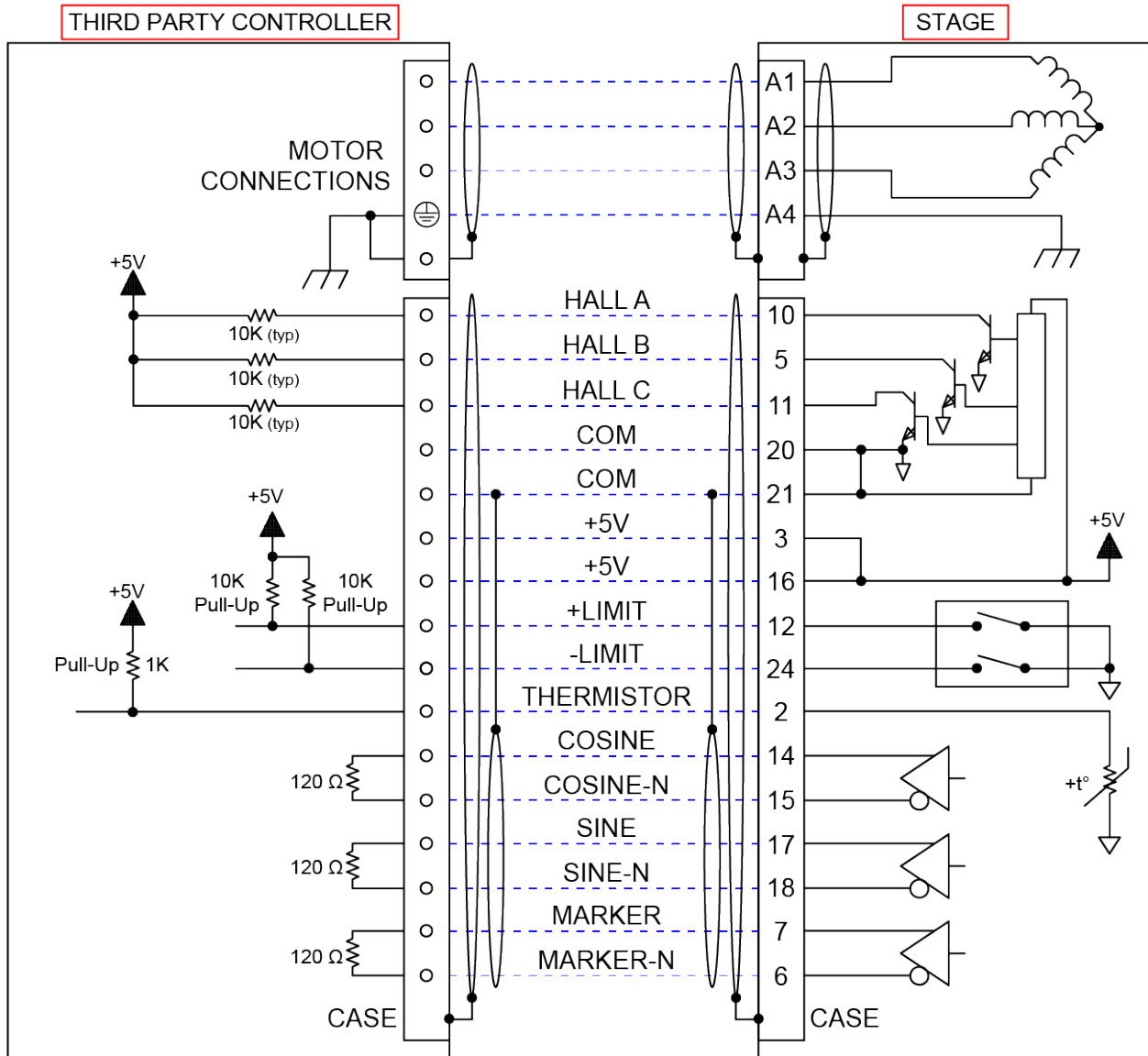


Figure 3-2: Motor and Feedback Wiring

3.3. Motor and Feedback Specifications

Table 3-3: Feedback Specifications

Hall-Effect Sensors Specifications	
Supply Voltage	5 V \pm 5%
Supply Current	50 mA
Output Type	Open Collector
Output Voltage	24 V max (pull up)
Output Current	5 mA (sinking)

Thermistor Specifications	
Polarity	Logic "0" (no fault)
	Logic "1" (over-temperature fault)
Cold Resistance	\sim 100 Ω
Hot Resistance	\sim 10 K
Note: 1K pull-up to +5V recommended.	

Encoder Specifications	
Supply Voltage	5 V \pm 5%
Supply Current	250 mA (typical)
Output Signals	Sinusoidal Type (Incremental Encoder): 1 V _{pk-pk} into 120 Ω Load (differential signals SIN+, SIN-, COS+, COS- are .5 V _{pk-pk} relative to ground.)
	Digital Output (Incremental Encoder): RS422/485 compatible

Limit Switch Specifications	
Supply Voltage	5 V (from encoder)
Supply Current	250 mA (typical)
Output Type	Open Collector
Output Voltage	24 VDC max, through pull-up resistor
Output Current	20 mA max (sinking)
Output Polarity	Normally Closed (NC)
	<ul style="list-style-type: none"> Sinks current to ground (Logic "0") when not in limit High impedance (Logic "1") when in limit Requires external pull-up to +5 V (10 kΩ recommended)
Notes:	
<ul style="list-style-type: none"> If the ABL 1500 is driven beyond the electrical limit, it will encounter a mechanical stop. Impacting the mechanical stop could cause damage to the stage even at low speeds. 	

Table 3-4: Encoder Specifications

Model	Fundamental Signal Period	Digital Resolution	Maximum Speed ⁽²⁾
-E1	20 μm	--	2000 mm/sec
-E1 with x4000 Interpolation		5 nm	
-E1 with x16000 Interpolation		1.25 nm	
-E2 ⁽¹⁾		100 nm	100 mm/sec
-E3	4 μm	--	1200 mm/sec
-E3 with x4000 Interpolation		1 nm	1200 mm/sec
-E3 with x16000 Interpolation		0.25 nm	1200 mm/sec

1. Quadrature decoding included in interpolated resolution calculations
 2. Maximum speed of encoder option listed; system data rate limitations may also apply.

Table 3-5: BLMC-192 Motor Specifications

		BLMC-192
Performance Specifications⁽¹⁾⁽²⁾		
Continuous Force	N (lb)	106.7 (24.0)
Peak Force ⁽³⁾	N (lb)	618.8 (139.1)
Electrical Specifications⁽²⁾		
Winding Designation	A / B	-A
BEMF Constant (line-line, max)	V/(m/s) (V/(in/s))	30.66 (0.78)
Continuous Current	A _{pk} (A _{rms})	4.00 (2.83)
Peak Current, Stall ⁽³⁾	A _{pk} (A _{rms})	23.20 (16.40)
Force Constant, Sine Drive ⁽⁴⁾⁽⁵⁾	N/A _{pk} (lb/A _{pk})	26.67 (6.00)
	N/A _{rms} (lb/A _{rms})	37.72 (8.48)
Motor Constant ⁽⁴⁾⁽⁶⁾	N/√W (lb/√W)	10.29 (2.31)
Resistance, 25°C (line-line)	Ω	6.4
Inductance (line-line)	mH	1.90
Thermal Resistance, No Forced Cooling	°C/W	0.93
Maximum Bus Voltage	V _{DC}	80 ⁽⁷⁾
Magnetic Pole Pitch	mm (in)	25 (0.98)

1. Performance is dependent upon heat sink configuration, system cooling conditions, and ambient temperature
 2. All performance and electrical specifications ±10%
 3. Peak force assumes correct rms current; consult Aerotech.
 4. Force constant and motor constant specified at stall
 5. All Aerotech amplifiers are rated Apk; use force constant in N·m/Apk when sizing.
 6. Values shown @ 100°C rise above a 25°C ambient temperature, with motor mounted to the specified aluminum heat sink.
 7. Bus voltage limitation is due to stage cabling, not the motor.

3.4. Limits, Marker, and Machine Direction

Aerotech stages are configured to have positive and negative "machine" directions. The machine direction defines the phasing of the feedback and motor signals and is dictated by the stage wiring (refer to [Section 3.5](#) for Motor and Feedback phasing information). Programming direction of a stage is set by the controller that is used to move the stage. Programming direction is typically selectable in the controller, while machine direction is hardwired in the stage. [Figure 3-3](#) shows the machine direction of ABL1500 stages.

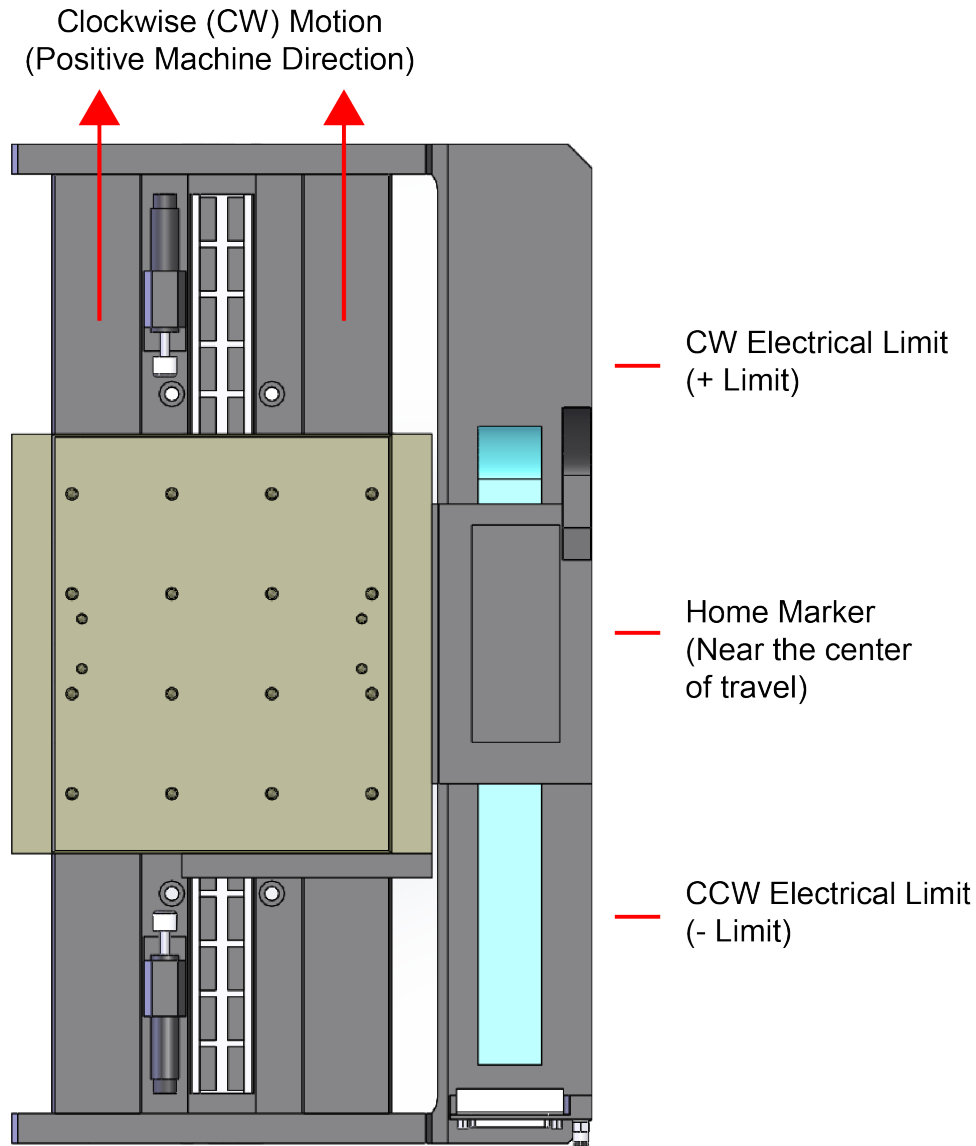


Figure 3-3: Machine Direction

3.5. Motor and Feedback Phasing

Motor phase voltage is measured relative to the virtual wye common point.

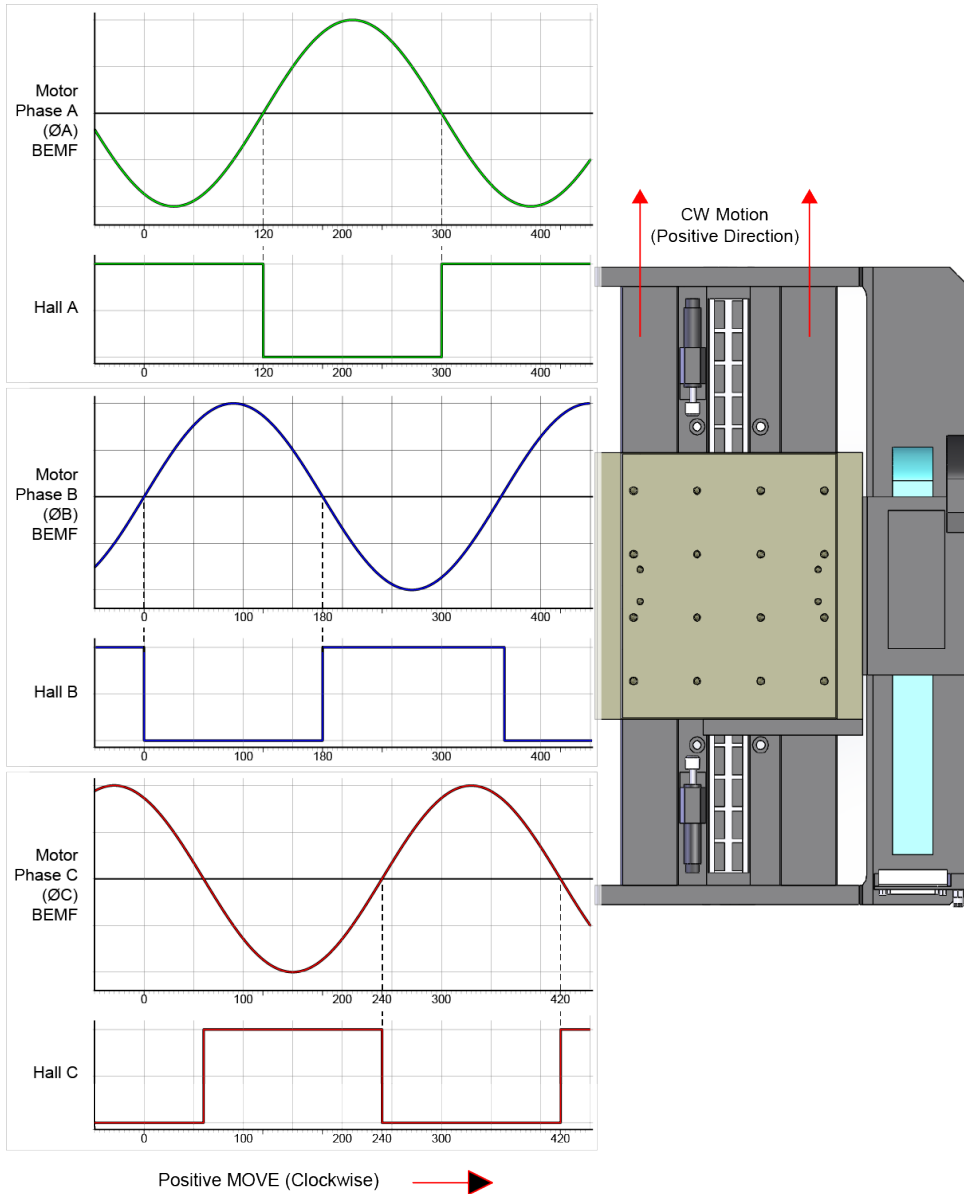


Figure 3-4: Hall Phasing

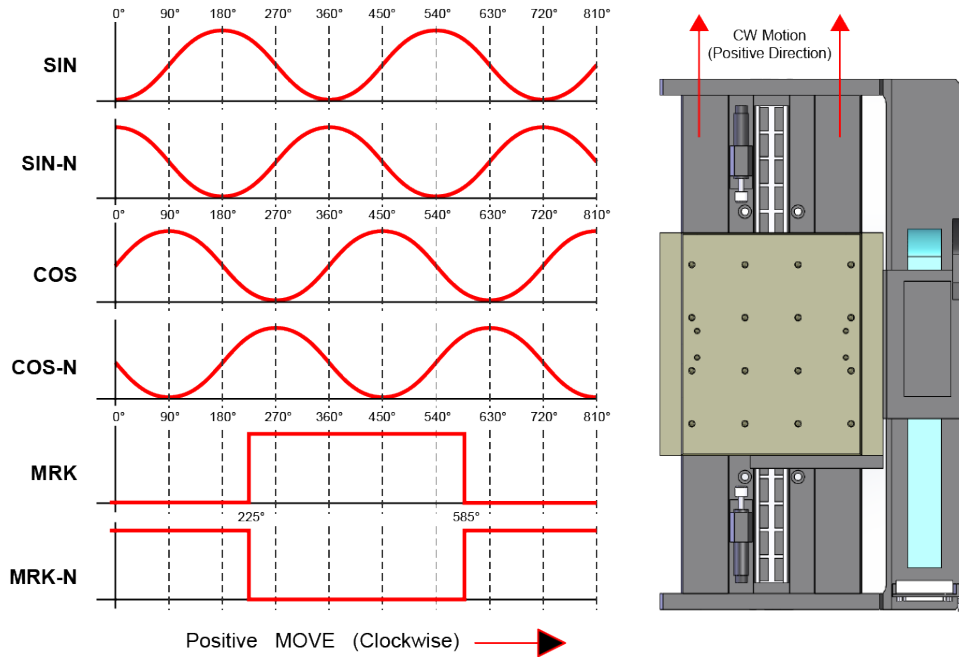


Figure 3-5: Analog Encoder Phasing Reference Diagram

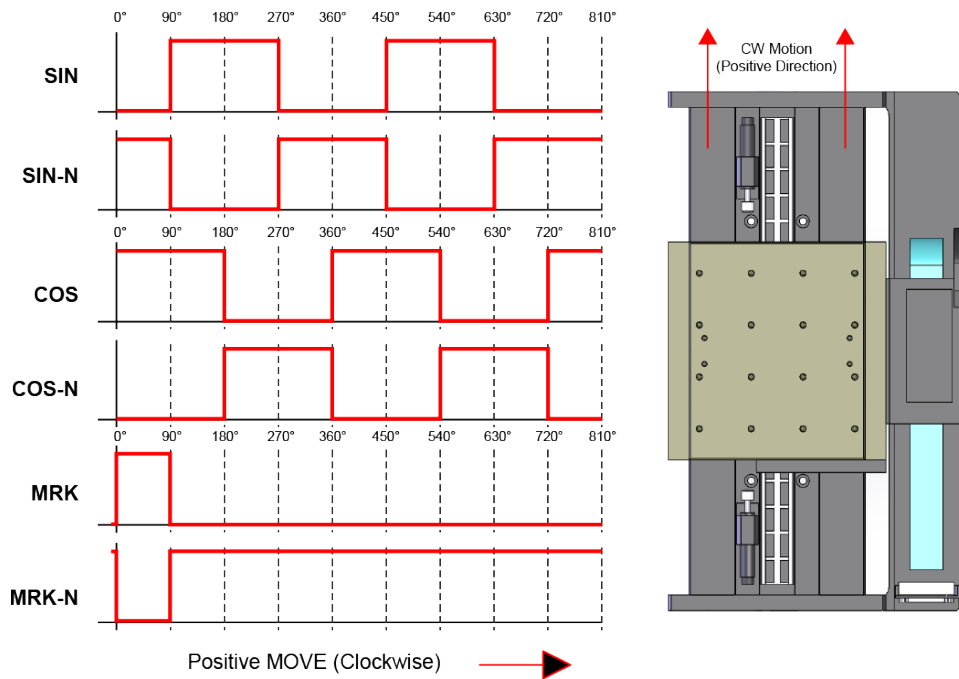


Figure 3-6: Encoder Phasing Reference Diagram (Standard)

Chapter 4: Maintenance

The ABL1500 series stages are designed to require minimum maintenance. Due to the non-contact air bearing design, there are no friction surfaces or dynamic seals to wear or require lubrication. However, it is important to clean the bearing surfaces and encoder strips to maintain the accuracy of the stage. This chapter will detail the cleaning and lubrication process and specify recommended cleaning solvents.

NOTE: The bearing area must be kept free of foreign matter and moisture; otherwise, the performance and life expectancy of the stage will be reduced.



DANGER: To minimize the possibility of bodily injury or death, disconnect all electrical power prior to performing any maintenance or making adjustments to the equipment.

4.1. Service and Inspection Schedule

Inspect the ABL1500 at least once per month. A longer or shorter inspection interval may be required depending on the specific application, and conditions such as the duty cycle, speed, and environment.

Monthly inspections should include but not be limited to:

- Visually inspect the stage and cables.
- Re-tighten loose connectors.
- Replace or repair damaged cables.
- Clean the ABL1500 and any components and cables as needed.
- Repair any damage before operating the ABL1500.
- Inspect and perform an operational check on all safeguards and protective devices.

4.2. Cleaning and Lubrication

There are no elements on ABL1500 stages that require lubrication.

Clean all air-bearing surfaces and encoder scales to prevent damage to the stage or decreased performance. Prevent dust build-up from accumulating in the linear motors, encoders, and air-bearing surfaces by blowing clean, dry, compressed air over the entire stage. Due to the non-contact design, these surfaces operate very close together, allowing dust to buildup and cause damage.

All encoder surfaces and magnet tracks should be cleaned with isopropyl alcohol. Aluminum hard-coated metal surface may be cleaned with isopropyl alcohol or acetone. Acetone should not be used on magnet tracks because it could break down the epoxy that holds the magnets in place.

Table 4-1: Recommended Cleaning Solvents

Item	Recommended Cleaner
Encoders, Magnets	Isopropyl Alcohol
Hard-Coated Aluminum	Acetone
Granite	Surface plate cleaner ⁽¹⁾
1. Surface plate cleaner is available from precision granite manufacturers.	

4.2.1. Cleaning Process

To clean all of the air bearing surfaces and encoder scales, it is necessary to move the stage.



DANGER: Strong rare-earth magnets are present in the linear motor magnet track. Loose metal objects (tools, watches, keys, etc.) may cause personal injury and/or damage to the equipment.



WARNING: Do not attempt to move the carriage of the ABL1500 until the air supply, detailed in [Section 1.4.](#), has been installed. Moving the stage table without air supplied can cause permanent damage to the stage.

1. Blow off the stage with clean, dry, compressed air, and remove any visible debris on the outside of the stage. Move the stage to one end of travel and remove power.



DANGER: To minimize the possibility of bodily injury or death, disconnect all electrical power prior to performing any maintenance or making adjustments to the equipment.

2. Clean all of the surfaces that you can access. Make sure to use the correct solvent on each surface (refer to [Section 4.2.](#)). When the surface is fully dry, move the stage by hand to the opposite end of travel.



WARNING: Make sure that all solvent has completely evaporated before attempting to move the stage. Even the slightest amount of solvent could cause damage to the air bearing surfaces, clog the air ducts, or damage the electronics of the stage.

3. This should expose all previously covered surfaces. Repeat the cleaning process. Restore power to the stage after all solvents are fully dry.

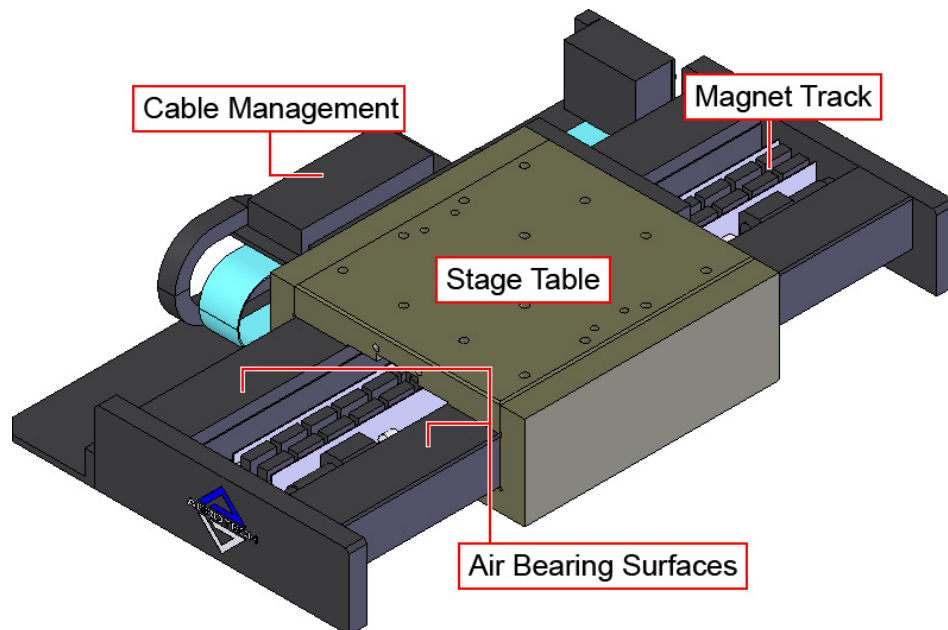


Figure 4-1: Air Bearing Surfaces and Encoder Scales Require Periodic Cleaning

4.3. Troubleshooting

Symptom	Possible Cause and Solution
Stage will not move	<ul style="list-style-type: none"> • Shipping restraints still installed. Remove the red anodized shipping brackets. • In Limit condition. Check limits (refer to Chapter 3) and refer to the Controller documentation for polarity and compatibility requirements (Example: voltage requirements). • Controller trap or fault (refer to the Controller documentation). • Emergency stop fault. The system is configured to operate with an air pressure safety switch, and either the air pressure is too low or the switch is not present. Check the air supply and the switch. Air pressure switches are typically configured to trip if the supply pressure to the bearing drops below 40 psi.
Stage moves uncontrollably	<ul style="list-style-type: none"> • Encoder (sine and cosine) signal connections (refer to Chapter 3 and Controller documentation). • Motor Connections (refer to Chapter 3 and the Controller documentation).
Stage oscillates or squeals	<ul style="list-style-type: none"> • Gains misadjusted (refer to the Controller documentation). • Encoder signals (refer to the Controller documentation).

This page intentionally left blank.

Appendix A: Warranty and Field Service

Aerotech, Inc. warrants its products to be free from harmful defects caused by faulty materials or poor workmanship for a minimum period of one year from date of shipment from Aerotech. Aerotech's liability is limited to replacing, repairing or issuing credit, at its option, for any products that are returned by the original purchaser during the warranty period. Aerotech makes no warranty that its products are fit for the use or purpose to which they may be put by the buyer, whether or not such use or purpose has been disclosed to Aerotech in specifications or drawings previously or subsequently provided, or whether or not Aerotech's products are specifically designed and/or manufactured for buyer's use or purpose. Aerotech's liability on any claim for loss or damage arising out of the sale, resale, or use of any of its products shall in no event exceed the selling price of the unit.

THE EXPRESS WARRANTY SET FORTH HEREIN IS IN LIEU OF AND EXCLUDES ALL OTHER WARRANTIES, EXPRESSED OR IMPLIED, BY OPERATION OF LAW OR OTHERWISE. IN NO EVENT SHALL AEROTECH BE LIABLE FOR CONSEQUENTIAL OR SPECIAL DAMAGES.

Return Products Procedure

Claims for shipment damage (evident or concealed) must be filed with the carrier by the buyer. Aerotech must be notified within thirty (30) days of shipment of incorrect material. No product may be returned, whether in warranty or out of warranty, without first obtaining approval from Aerotech. No credit will be given nor repairs made for products returned without such approval. A "Return Materials Authorization (RMA)" number must accompany any returned product(s). The RMA number may be obtained by calling an Aerotech service center or by submitting the appropriate request available on our website (www.aerotech.com). Products must be returned, prepaid, to an Aerotech service center (no C.O.D. or Collect Freight accepted). The status of any product returned later than thirty (30) days after the issuance of a return authorization number will be subject to review.

Visit <https://www.aerotech.com/global-technical-support.aspx> for the location of your nearest Aerotech Service center.

Returned Product Warranty Determination

After Aerotech's examination, warranty or out-of-warranty status will be determined. If upon Aerotech's examination a warranted defect exists, then the product(s) will be repaired at no charge and shipped, prepaid, back to the buyer. If the buyer desires an expedited method of return, the product(s) will be shipped collect. Warranty repairs do not extend the original warranty period.

Fixed Fee Repairs - Products having fixed-fee pricing will require a valid purchase order or credit card particulars before any service work can begin.

All Other Repairs - After Aerotech's evaluation, the buyer shall be notified of the repair cost. At such time the buyer must issue a valid purchase order to cover the cost of the repair and freight, or authorize the product(s) to be shipped back as is, at the buyer's expense. Failure to obtain a purchase order number or approval within thirty (30) days of notification will result in the product(s) being returned as is, at the buyer's expense.

Repair work is warranted for ninety (90) days from date of shipment. Replacement components are warranted for one year from date of shipment.

Rush Service

At times, the buyer may desire to expedite a repair. Regardless of warranty or out-of-warranty status, the buyer must issue a valid purchase order to cover the added rush service cost. Rush service is subject to Aerotech's approval.

On-site Warranty Repair

If an Aerotech product cannot be made functional by telephone assistance or by sending and having the customer install replacement parts, and cannot be returned to the Aerotech service center for repair, and if Aerotech determines the problem could be warranty-related, then the following policy applies:

Aerotech will provide an on-site Field Service Representative in a reasonable amount of time, provided that the customer issues a valid purchase order to Aerotech covering all transportation and subsistence costs. For warranty field repairs, the customer will not be charged for the cost of labor and material. If service is rendered at times other than normal work periods, then special rates apply.

If during the on-site repair it is determined the problem is not warranty related, then the terms and conditions stated in the following "On-Site Non-Warranty Repair" section apply.

On-site Non-Warranty Repair

If any Aerotech product cannot be made functional by telephone assistance or purchased replacement parts, and cannot be returned to the Aerotech service center for repair, then the following field service policy applies:

Aerotech will provide an on-site Field Service Representative in a reasonable amount of time, provided that the customer issues a valid purchase order to Aerotech covering all transportation and subsistence costs and the prevailing labor cost, including travel time, necessary to complete the repair.

Service Locations

<http://www.aerotech.com/contact-sales.aspx?mapState=showMap>

USA, CANADA, MEXICO Aerotech, Inc. Global Headquarters Phone: +1-412-967-6440 Fax: +1-412-967-6870	CHINA Aerotech China Full-Service Subsidiary Phone: +86 (21) 5508 6731	GERMANY Aerotech Germany Full-Service Subsidiary Phone: +49 (0)911 967 9370 Fax: +49 (0)911 967 93720
JAPAN Aerotech Japan Full-Service Subsidiary Phone: +81 (0)50 5830 6814 Fax: +81 (0)43 306 3773	TAIWAN Aerotech Taiwan Full-Service Subsidiary Phone: +886 (0)2 8751 6690	UNITED KINGDOM Aerotech United Kingdom Full-Service Subsidiary Phone: +44 (0)1256 855055 Fax: +44 (0)1256 855649

Have your customer order number ready before calling.

Appendix B: Revision History

Revision	Description
1.03.00	<ul style="list-style-type: none">• Safety information updated• General revision
1.02.00	Limit operation section added
1.01.00	<ul style="list-style-type: none">• Declaration of Incorporation section added• Environmental Specifications section added• Updated ordering information:• Added safety information and warnings• Updated stage specifications• Added motor specifications• Added note about motor wire current and voltage requirements• Corrected mechanical stop warning
1.00.00	New manual

This page intentionally left blank.

Index

		L	
	2	label	17
2010	9	lifting bars	17
	A	Lifting Hardware	17
Acetone	35	Limit Switch Specifications	30
Air Fitting Locations	15	lubrication	35
air hose	15	Lubrication	35
Air Requirements	15		
Alcohol	35	M	
Altitude	12	MCA03094	15
Ambient Temperature	12	mounting surface	
Attaching the Payload	22	securing stage	20
		P	
	C	part number	17
Cleaning	35-36	pressure switch	15
Cleaning Solvents	35	Protection Rating	12
	D	protective ground connection	26
Dimensions	19		
drop in pressure	15	S	
		Securing the Stage to the Mounting Surface	20
	E	serial number	17
EN 60204-1	9	Shipping Clamps	17
EN ISO 12100	9	Solvents	35
Encoder Specifications	30	Specifications	13
eyebolts	17	stabilizing stage	17
	G	stage	
Global Technical Support	2	distortion	20
	H	stabilizing	17
Hall-Effect Sensors Specifications	30	Support	2
hose, air	15		
Humidity	12	T	
	I	Technical Support	2
Inspection Schedule	35	testing stage operation	22
Isopropyl Alcohol	35	Thermistor Specifications	30

V

Vibration 12

W

Warranty and Field Service 39