



ANT95LZ Series Single-Axis Z Direct-Drive Nanopositioning Stage

HARDWARE MANUAL

Revision 2.00



GLOBAL TECHNICAL SUPPORT

Go to the [Global Technical Support Portal](#) for information and support about your Aerotech, Inc. products. The website supplies software, product manuals, Help files, training schedules, and PC-to-PC remote technical support. If necessary, you can complete Product Return (RMA) forms and get information about repairs and spare or replacement parts. To get help immediately, contact a service office or your sales representative. Include your customer order number in your email or have it available before you call.

This manual contains proprietary information and may not be reproduced, disclosed, or used in whole or in part without the express written permission of Aerotech, Inc. Product names mentioned herein are used for identification purposes only and may be trademarks of their respective companies.

Copyright © 2015-2021, Aerotech, Inc., All rights reserved.



Table of Contents

ANT95LZ Series Single-Axis Z Direct-Drive Nanopositioning Stage	1
Table of Contents	3
List of Figures	4
List of Tables	5
Safety Procedures and Warnings	7
EU Declaration of Incorporation	9
Chapter 1: Overview	11
1.1. Environmental Specifications	12
1.2. Accuracy and Temperature Effects	12
1.3. Basic Specifications	13
1.4. Air Requirements	14
Chapter 2: Installation	15
2.1. Unpacking and Handling the Stage	15
2.2. Dimensions	17
2.3. Securing the Stage to the Mounting Surface	19
2.3.1. Setting up the Pneumatic Counterbalance	21
2.4. Attaching the Payload to the Stage	23
Chapter 3: Electrical Installation	27
3.1. Motor and Feedback Connectors	28
3.2. Motor and Feedback Wiring	30
3.3. Motor and Feedback Specifications	31
3.4. Limits, Marker, and Machine Direction	33
3.5. Motor and Feedback Phasing	34
Chapter 4: Maintenance	37
4.1. Service and Inspection Schedule	37
4.2. Cleaning and Lubrication	38
4.3. Troubleshooting	40
Appendix A: Warranty and Field Service	41
Appendix B: Revision History	43
Index	45

List of Figures

Figure 1-1: GEN2 vs GEN1 Visual Comparison	11
Figure 1-2: Counterbalance Air Flow vs. Counterbalance Pressure	14
Figure 1-3: Air Inlet Location	14
Figure 2-1: Shipping Brackets	16
Figure 2-2: ANT95LZ-025 Dimensions	17
Figure 2-3: ANT95LZ-025 Dimensions	18
Figure 2-4: Mounting Hole Pattern (and Pneumatics Cylinder Clearance)	20
Figure 2-5: Counterbalance Pressure vs. External Payload	21
Figure 2-6: Load Orientations	24
Figure 2-7: Cantilevered Load Capabilities	25
Figure 3-1: ANT95LZ Motor and Feedback Wiring	30
Figure 3-2: Machine Direction	33
Figure 3-3: Hall Phasing Diagram	34
Figure 3-4: Encoder Phasing Reference Diagram (Standard/Square Wave)	35
Figure 3-5: Encoder Phasing Reference Diagram (Analog/Sine Wave)	35

List of Tables

Table 1-1: Model Numbers and Ordering Options	11
Table 1-2: Environmental Specifications	12
Table 1-3: ANT95LZ Series Specifications	13
Table 2-1: Stage Mounting Surface Flatness Requirement	19
Table 2-2: Stage to Mounting Surface Hardware	19
Table 2-3: Payload to Stage Surface Hardware	23
Table 3-1: 25-Pin Motor and Feedback Connector Pinout	29
Table 3-2: 25-Pin Mating Connector Part Numbers	29
Table 3-3: Hall-Effect Sensor Specifications	31
Table 3-4: Thermistor Specifications	31
Table 3-5: Encoder Specifications	31
Table 3-6: Limit Switch Specifications	31
Table 3-7: ANT95LZ Motor Specifications	32
Table 3-8: Encoder Resolution	32

This page intentionally left blank.

Safety Procedures and Warnings



IMPORTANT: This manual tells you how to carefully and correctly use and operate the stage.

- Read all parts of this manual before you install or operate the stage or before you do maintenance to your system.
- To prevent injury to you and damage to the equipment, obey the precautions in this manual.
- All specifications and illustrations are for reference only and were complete and accurate as of the release of this manual. To find the newest information about this product, refer to www.aerotech.com.

If you do not understand the information in this manual, contact Aerotech Global Technical Support.



IMPORTANT: This product has been designed for light industrial manufacturing or laboratory environments. If the product is used in a manner not specified by the manufacturer:

- The protection provided by the equipment could be impaired.
- The life expectancy of the product could be decreased.



DANGER: To decrease the risk of electrical shock, injury, death, and damage to the equipment, obey the precautions that follow.

- Restrict access to the stage when it is connected to a power source.
- Do not connect or disconnect electrical components, wires, and cables while this product is connected to a power source.
- Before you do maintenance to the equipment, disconnect the electrical power.
- Uncouple or otherwise prevent motor-coupled machinery movement when you do service to the equipment.
- Make sure that all components are grounded correctly and that they obey the local electrical safety requirements.
- The drive must contain a properly-sized fuse, matched to the motor cable wire size.
- Supply each operator with the necessary protection from live electrical circuits.



DANGER: Hot surfaces. The case temperature could exceed 70°C.

- Do not touch the motor while it is in operation.
- Wait until the motor has cooled before you touch it.



DANGER: The motor is not rated for use in explosive atmospheres. Do not operate the motor in the presence of potentially explosive mixtures of air-borne dust or combustible vapors.



IMPORTANT: Equipment grounds must be in place and maintained to reduce the risk of serious or potentially fatal injury from electric shock.

**DANGER: Strong Magnets / Electromagnetic Fields**

- Motors and their associated drive, cables, and components are sources of electromagnetic fields. Persons with implanted medical devices need to evaluate the risks associated with these devices before they can enter an area where the devices are in use.
- Strong rare-earth magnets are present in the motor. Interaction with metallic objects (tools, watches, or keys, for example) could produce pinch injuries or damage to the equipment.
- Use non-magnetic tools when you do service to the motor.

**DANGER:** System travel can cause crush, shear, or pinch injuries. Restrict access to all motor and stage parts while your system is connected to a power source.

- Do not put yourself in the travel path of machinery.
- Motors are capable of very high speeds and acceleration rates.

**WARNING:** To decrease the risk of damage to the equipment, you must obey the precautions that follow

- Only trained operators should operate this equipment.
- All service and maintenance must be done by approved personnel.
- Use this product only in environments and operating conditions that are approved in this manual.
- Never install or operate equipment that appears to be damaged.
- Make sure that the product is securely mounted before you operate it.
- Use care when you move the ANT95LZ or you could negatively affect the performance of it.

**WARNING:** Securely mount and position all system cables.

EU Declaration of Incorporation

Manufacturer Aerotech, Inc.
101 Zeta Drive
Pittsburgh, PA 15238-2811
USA

herewith declares that the product:

ANT95LZ Linear Stage

is intended to be incorporated into machinery to constitute machinery covered by the Directive 2006/42/EC as amended;

and that the following harmonized European standards have been applied:

EN ISO 12100:2010

Safety of machinery - Basic concepts, general principles for design

EN 60204-1:2010

Safety of machinery - Electrical equipment of machines - Part 1: General requirements

and further more declares that

it is not allowed to put the equipment into service until the machinery into which it is to be incorporated or of which it is to be a component has been found and declared to be in conformity with the provisions of the Directive 2006/42/EC and with national implementing legislation, for example, as a whole, including the equipment referred to in this Declaration.

This is to certify that the aforementioned product is in accordance with the applicable requirements of the following directive(s):

2011/65/EU
EU 2015/863

RoHS 2 Directive
Amendment RoHS 3 Directive


Authorized Representative



/ Simon Smith, European Director

Aerotech Ltd
The Old Brick Kiln, Ramsdell, Tadley
Hampshire RG26 5PR
UK

Engineer Verifying Compliance



/ Alex Weibel

Aerotech, Inc.
101 Zeta Drive
Pittsburgh, PA 15238-2811
USA
8/6/2021

Date



This page intentionally left blank.

Chapter 1: Overview

The specifications in this manual pertain to the second generation of ANT95LZ stages. The ordering options (Table 1-1) and basic specifications (Section 1.3.) have changed. The visual differences between second and first generation stages:

- an updated Aerotech logo
- a revised shipping clamp design
- and the introduction of additive (3D-printed) parts.

Refer to Figure 1-1. Contact Aerotech if you need a first generation manual.

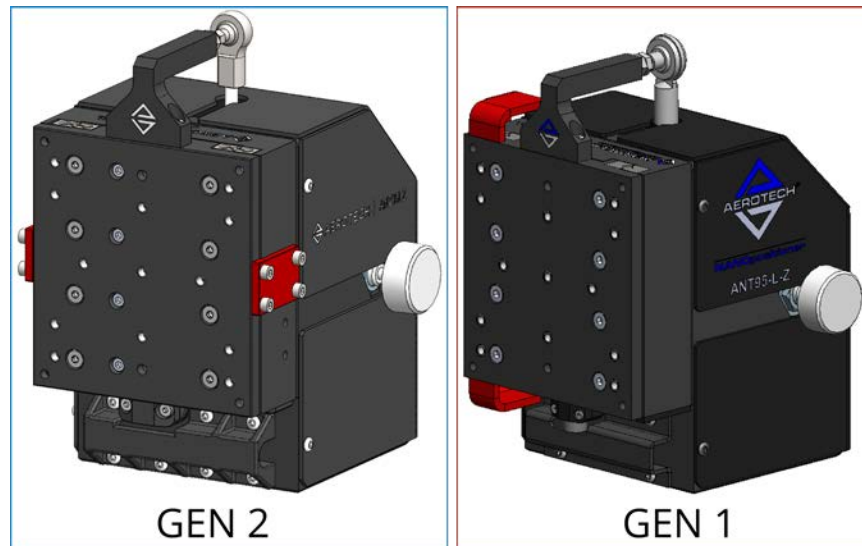


Figure 1-1: GEN2 vs GEN1 Visual Comparison

Table 1-1: Model Numbers and Ordering Options

ANT95LZ Single-Axis Z Direct-Drive Nanopositioning Stage	
Travel (Required)	
-025	25 mm travel
-050	50 mm travel
Feedback (Required)	
-E1	Incremental linear encoders, 1 Vpp amplified sine output
-E2	Incremental linear encoders, digital RS422 output, 5 nm electrical resolution
-E4	Incremental linear encoders, 1 Vpp amplified sine output, high-performance
Cable Orientation (Required)	
-CBL1	Right-hand cable exit
-CBL2	Lef-hand cable exit
Performance Grade (Required)	
-PL1	Base performance
-PL2	High-accuracy performance
Integration (Required)	
-TAS	Test as system: Testing, integration, and documentation of a group of components as a complete system that will be used together.
-TAC	Test as components: Testing and integration of individual items as discrete components that ship together.

1.1. Environmental Specifications



WARNING: Do not expose this product to environments or conditions outside of the listed specifications. You could damage the equipment if you exceed the environmental or operating specifications.

Table 1-2: Environmental Specifications

Ambient Temperature	Operating: 10° to 35° C (50° to 95° F) The optimal operating temperature is 20° C \pm 2° C (68° F \pm 4° F). If at any time the operating temperature deviates from 20° C degradation in performance could occur.
	Storage: 0° to 40° C (32° to 104° F) in original shipping packaging
Humidity	Operating: 20% to 60% RH
	Storage: 10% to 70% RH, non-condensing in original packaging. The stage should be packaged with desiccant if it is to be stored for an extended time.
Altitude	Operating: 0 m to 2,000 m (0 ft to 6,562 ft) above sea level
	Contact Aerotech if your specific application involves use above 2,000 m or below sea level.
Vibration	Use the system in a low vibration environment. Excessive floor or acoustical vibration can affect system performance. Contact Aerotech for information regarding your specific application.
Protection Rating	These stages are not suited for dusty or wet environments. This equates to an ingress protection rating of IP00.
Use	Indoor use only

1.2. Accuracy and Temperature Effects

Aerotech products are designed for and built in a 20°C (68°F) environment. Extreme temperature changes could cause a decrease in performance or permanent damage to the stage. At a minimum, the environmental temperature must be controlled to within 0.25°C per 24 hours to ensure the stage specifications are repeatable over an extended period of time. The severity of temperature effects on all specifications depends on many different environmental conditions, which include how the stage is mounted. Contact the factory for more details.

The thermal expansion coefficient of the encoder scale is 3.25 ppm/°C. Travel will increase or decrease at this rate as the temperature of the encoder scale temperature deviates from 20°C (68°F).

The accuracy specification of stage is measured 25 mm above the table with the stage in an unloaded condition. The stage is assumed to be fully supported by a mounting surface meeting or exceeding the specification in [Section 2.3](#).

1.3. Basic Specifications

Resolution is dependent on encoder resolution and controller interpolation.

Table 1-3: ANT95LZ Series Specifications

		ANT95LZ-025	ANT95LZ-050
Travel		25 mm	50 mm
Accuracy ⁽¹⁾	-PL1	± 4.0 µm	
	-PL2 (-E1, -E2)	± 300 nm	
	-PL2 (-E4)	± 200 nm	
Bidirectional Repeatability ⁽¹⁾		± 75 nm	
Resolution (Minimum Incremental Motion)	-E1	2 nm	
	-E4	1 nm	
Straightness ⁽¹⁾		± 2.25 µm	± 3.0 µm
Flatness ⁽¹⁾		± 3.5 µm	± 4.0 µm
Pitch		10 arc sec	
Roll		10 arc sec	
Yaw		5 arc sec	
Maximum Speed	-E1, -E4	200 mm/s	
	-E2	145 mm/s	
Maximum Acceleration (No Load)		1 g	
In-Position Stability ⁽²⁾	-E1	<2 nm	
	-E4	<1 nm	
Load Capacity (Vertical) ⁽³⁾		5 kg	
Moving Mass		0.51 kg	0.69 kg
Stage Mass		2.11 kg	2.71 kg
Material		Anodized Aluminum	
Mean Time Between Failure		30,000 Hours	
<p>1. Certified with each stage.</p> <p>2. In-position stability is reported as 3-sigma value (requires a 1 Vpp encoder).</p> <p>3. Payload specifications assume that the payload is centered on-axis.</p> <p>4. Specifications are for single-axis systems measured 25 mm above the tabletop; performance of multi-axis system depend upon the payload and workpoint. Consult the Aerotech factory for multi-axis or non-standard applications.</p> <p>5. -PL2 performance requires the use of an Aerotech controller.</p> <p>6. To ensure the achievement and repeatability of specifications over an extended period of time, environmental temperature must be controlled to within 0.25°C per 24 hours. Consult the Aerotech factory for more information.</p> <p>7. The air supply for the pneumatic counterbalance must be clean, dry to 0°F dewpoint, and filtered to 0.25 µm or better. Use nitrogen at 99.9% purity for best results. Supply pressure is determined by the amount of payload carried by the stage.</p>			

1.4. Air Requirements

The air supply to the counterbalance should be clean and liquid water should not be present.

- If nitrogen is used, it must be 99.99% pure and filtered to 0.25 microns. [Recommended]
- If compressed air is used, it must be filtered to 0.25 microns, dry to 0° F dew point, and oil free.

The low friction air cylinder consumes air as described in [Figure 1-2](#).

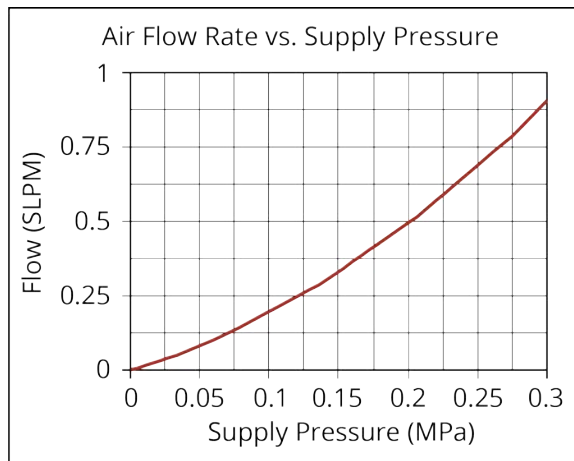


Figure 1-2: Counterbalance Air Flow vs. Counterbalance Pressure

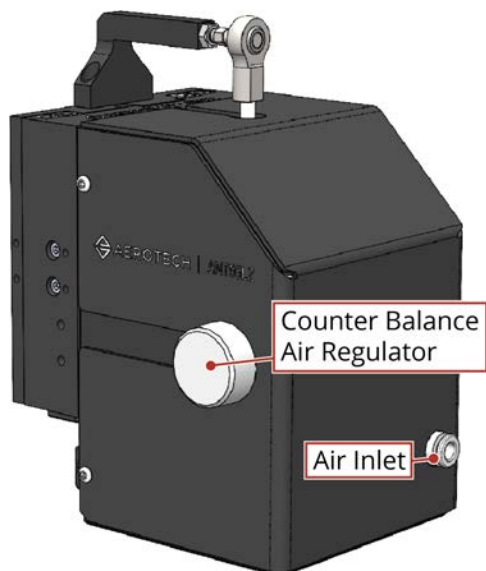


Figure 1-3: Air Inlet Location

Chapter 2: Installation



WARNING: The stage installation must be in accordance with the instructions provided by this manual and any accompanying documentation. Failure to follow these instructions could result in injury or damage to the equipment.

2.1. Unpacking and Handling the Stage



WARNING: It is the responsibility of the customer to safely and carefully lift and move the ANT95LZ.

- Refer to [Section 1.3](#) for stage mass specifications.
- Use care when you move the ANT95LZ or you could negatively affect the performance of it.
- Lift this product only by the vertical mounting bracket.
 - To access the vertical mounting bracket, you must first remove the pneumatic cover.
 - Refer to [Figure 2-1](#).
- For multi-axis assemblies, always lift the system by the lower axis.
- Do not use the cables or the connectors to lift or move this product.
- Make sure that all moving parts are secure before you move the stage. Unsecured moving parts could shift and cause injury or damage to the equipment.

Carefully remove the stage from its protective shipping container. Gently set the stage on a smooth, flat, and clean surface. Use compressed nitrogen or clean, dry, oil-free air to remove any dust or debris that has collected during shipping.

Before you operate the stage, let it stabilize at room temperature for at least 12 hours. This will ensure that all of the alignments, preloads, and tolerances are the same as they were when they were tested at Aerotech.

Each stage has a label listing the system part number and serial number. These numbers contain information necessary for maintenance or system hardware and software updates. Locate this label and record the information for later reference.

Red, anodized aluminum shipping brackets have been installed to prevent unwanted motion damage that could occur during shipment. The brackets must be removed before the ANT95LZ can be operated. Retain the brackets and hardware for future use.

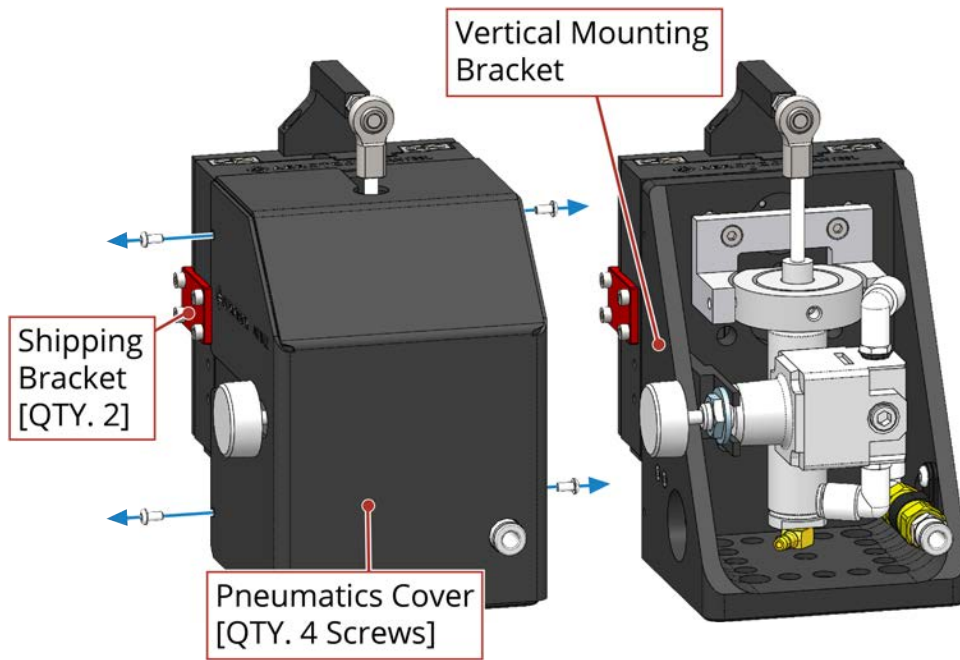
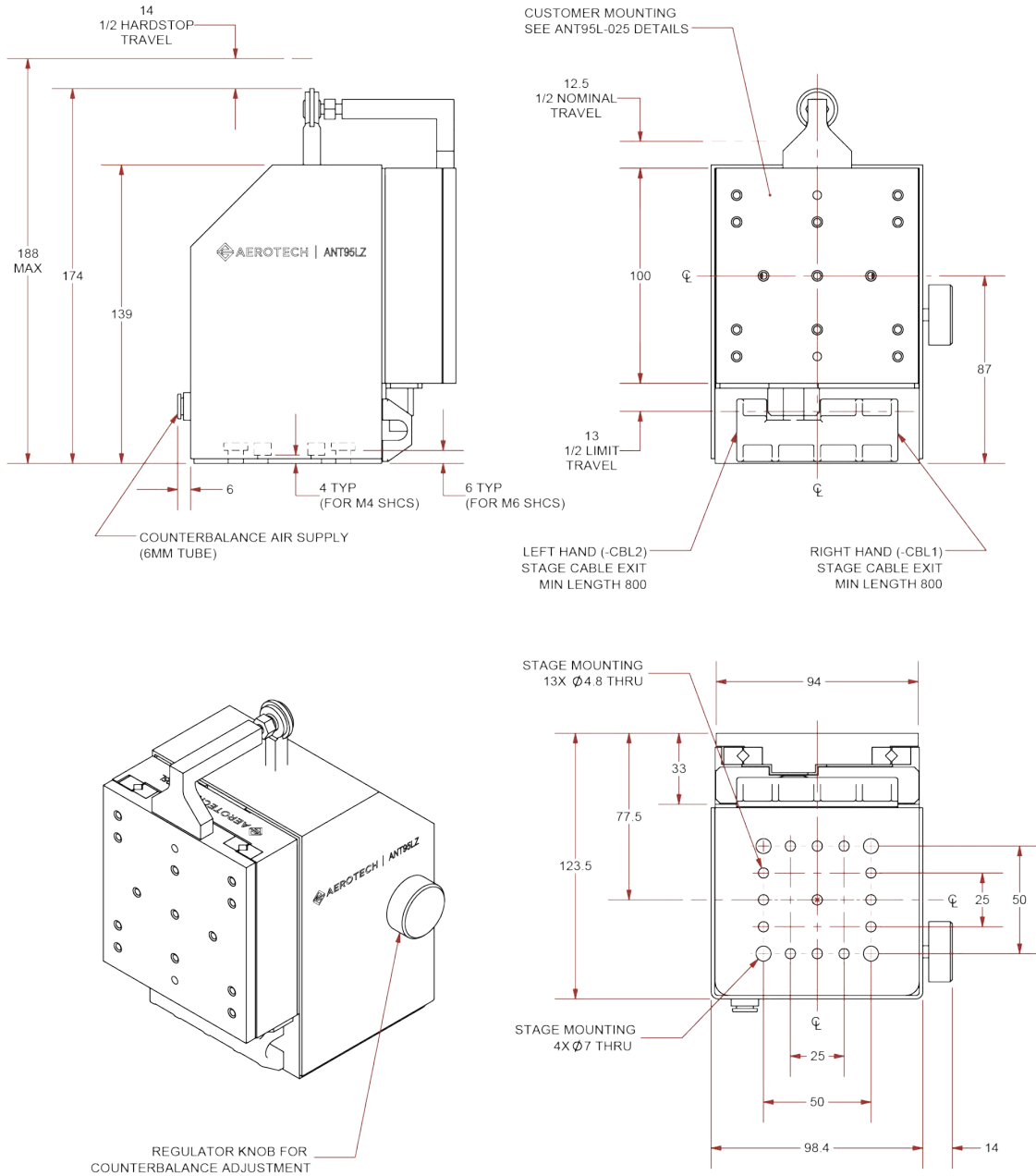


Figure 2-1: Shipping Brackets

2.2. Dimensions



DIMENSIONS: MILLIMETERS

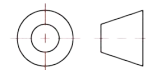


Figure 2-2: ANT95LZ-025 Dimensions

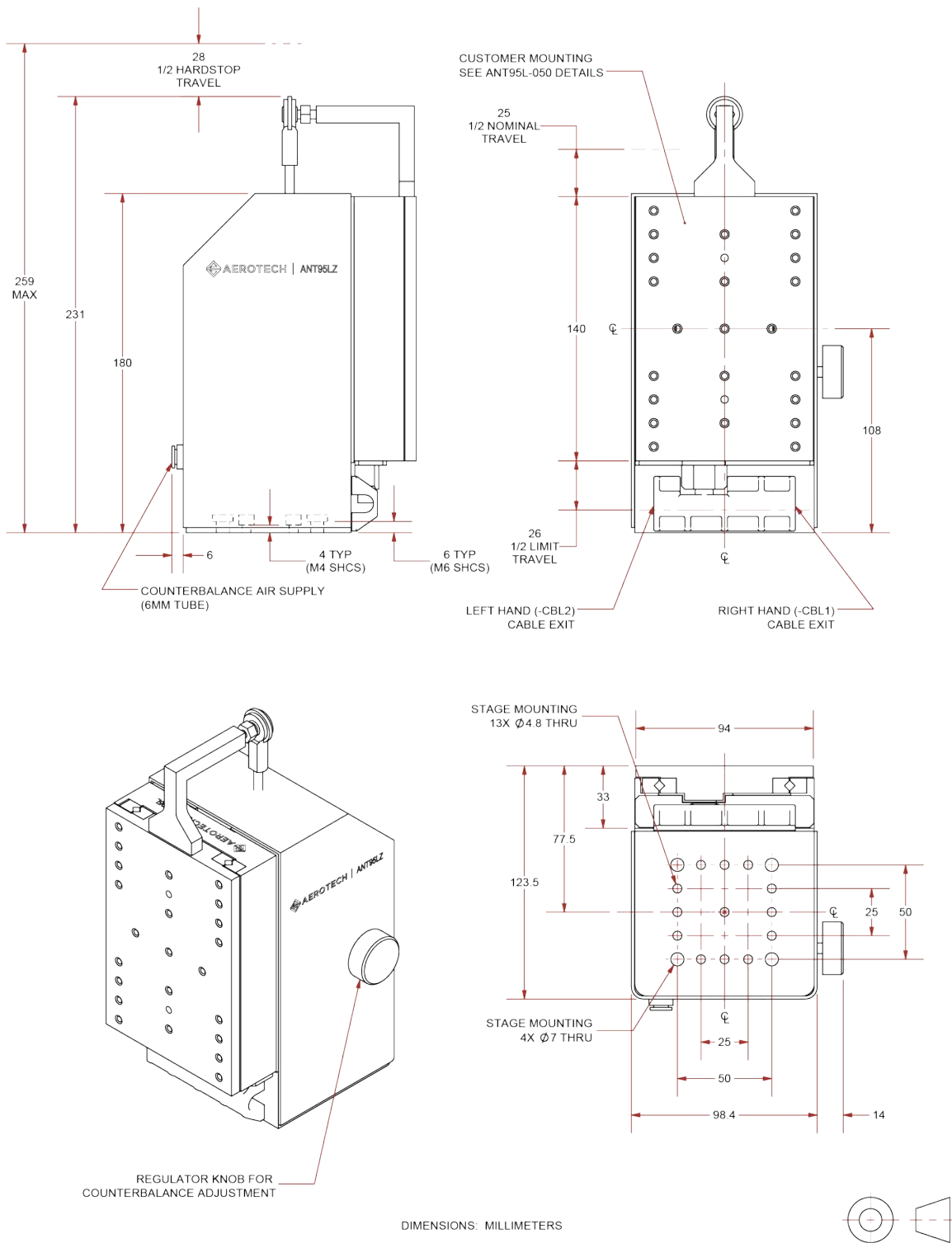


Figure 2-3: ANT95LZ-025 Dimensions

2.3. Securing the Stage to the Mounting Surface



WARNING: The stage must be mounted securely. Improper mounting can result in injury and damage to the equipment.



DANGER: PINCH POINT! Keep Hands Clear while the stage is in motion. Make sure that all moving parts are secure before you move the stage. Unsecured moving parts could shift and cause injury or damage to the equipment.

The mounting surface must be flat and have adequate stiffness to achieve the maximum performance from the stage. When it is mounted to a non-flat surface, the stage can be distorted while the mounting screws are tightened. This distortion will decrease overall accuracy. Adjustments to the mounting surface must be done before the stage is secured.

Inspect the mounting surface for dirt or unwanted residue and clean if necessary. Use precision flatstones on the mounting surface to remove any burrs or high spots. Clean the mounting surface with a lint-free cloth and acetone or isopropyl alcohol and allow the cleaning solvent to completely dry. Gently place the stage on the mounting surface.



IMPORTANT: The stage is precision machined and verified for flatness prior to product assembly at the factory. If machining is required to achieve the desired flatness, it should be performed on the mounting surface rather than the stage. Shimming should be avoided if possible. If shimming is required, it should be minimized to retain maximum rigidity of the system.

Table 2-1: Stage Mounting Surface Flatness Requirement

Stage Travel	Flatness Requirement
All Travels	1 μm per 50 mm

1. Verify that the shipping clamps are secure.
2. Remove the pneumatics cover. It is attached to the vertical angle bracket with four M3 button head screws (Figure 2-4).
NOTE: [25 mm Travel Only] Manually lift the Z-Axis tabletop while sliding off the pneumatics cover so that the cylinder rod end does not catch on the cover slot.
3. Mount the Z-Axis assembly using one of the available customer mounting patterns shown in Section 2.2. You can manually, but gently, move the base of the pneumatics cylinder to the left or right to gain access to mounting holes in the vertical angle bracket. A long ball end T-handle is recommended. Refer to Table 2-2 for screw torque specifications.
4. Reattach the pneumatics cover.

Tightening torque values for the mounting hardware are dependent on the properties of the surface to which the stage is being mounted. Values provided in Table 2-2 are typical values and may not be accurate for your mounting surface. Refer to Section 2.2. for mounting locations and dimensions.

Table 2-2: Stage to Mounting Surface Hardware

Mounting Hardware	Typical Screw Torque
M4 SHCS (mounting bracket)	2.0 N·m [18 lb·in]
M6 SHCS (mounting bracket)	7.0 N·m [61 lb·in]

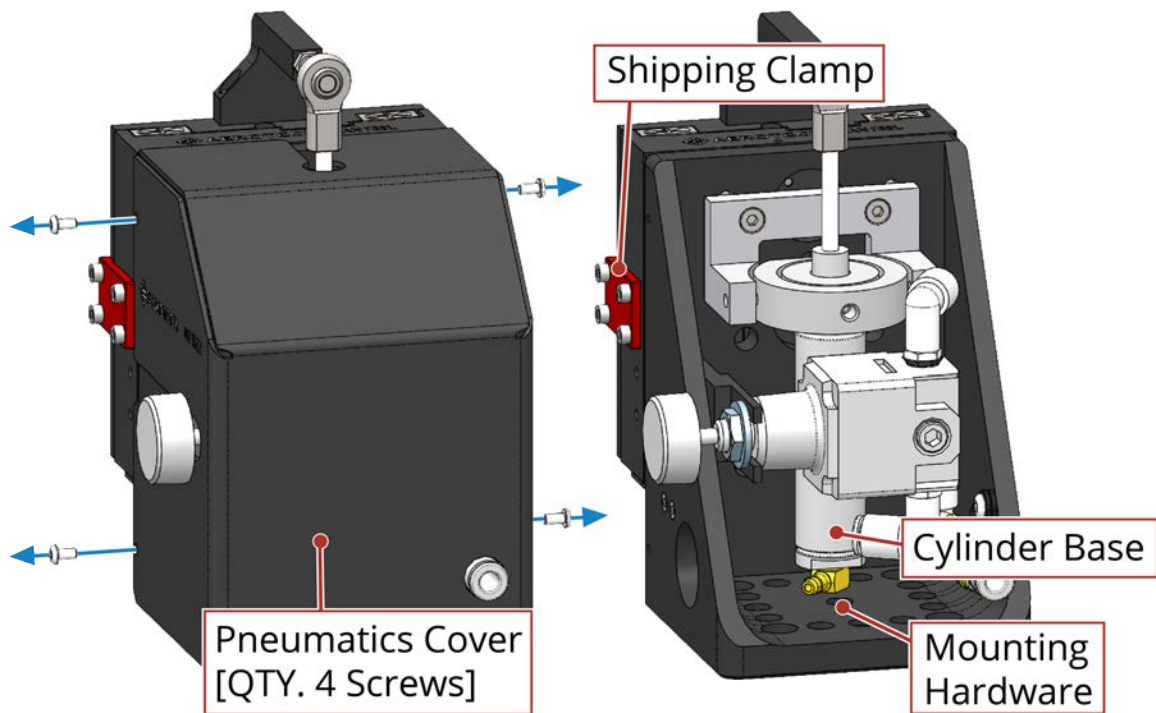


Figure 2-4: Mounting Hole Pattern (and Pneumatic Cylinder Clearance)

2.3.1. Setting up the Pneumatic Counterbalance



WARNING: If you do not adjust counterbalance according to the instructions that follow, you can possibly injure yourself or cause damage the equipment.



WARNING: If the pneumatic counterbalance suddenly loses pressure, the carriage will quickly drop. This could cause an injury or damage the equipment.

By default, the ANT95LZ pneumatic counterbalances are factory set to operate in the as-shipped condition. For stages that are shipped unloaded, the counterbalance is set for the mass of the carriage only. For stages that ship with payloads or other axes attached, the counterbalance is set for the mass of the carriage plus the additional mass. Any adjustment to the mass that is carried by the counterbalance cylinders, either adding or subtracting payload, necessitates an adjustment to the counterbalance pressure supplied to the pneumatic cylinders.

Standard ANT95LZ stages have one counterbalance cylinder with a piston area of $1.98 \times 10^{-4} \text{ m}^2$. The moving mass of a standard ANT95LZ carriage assembly is 0.5 kg (1.1 lb). An estimate of the counterbalance pressure required to support additional load is given by the following:

$$P_c = ((m_p + 0.5) * 9.81) / (1.98 \times 10^{-4}) / 1 \times 10^6 \text{ \{MPa\}}$$

where

P_c = Required counterbalance pressure in MPa (maximum 0.6 MPa allowed)

m_p = mass of external payload in kg.

This relationship is shown graphically in [Figure 2-5](#).

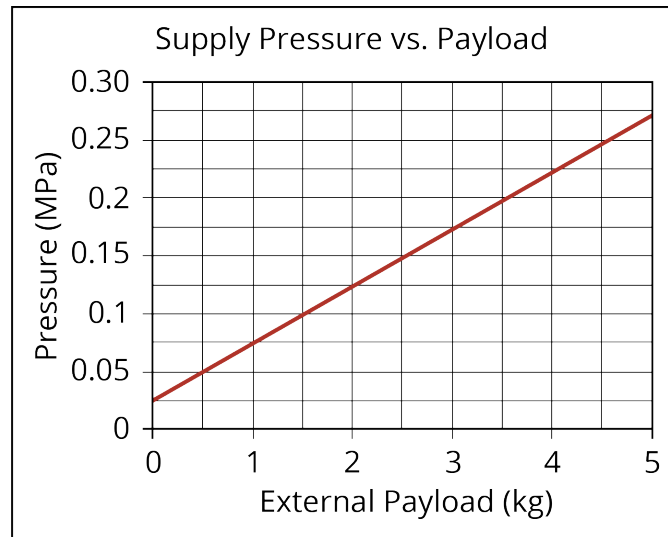


Figure 2-5: Counterbalance Pressure vs. External Payload

Procedure for initial pneumatic counterbalance setup:

IMPORTANT: Refer to [Section 1.4](#) for air requirements. Make sure that the air supply meets specifications before you continue.

1. Make sure that the stage is mounted and the shipping brackets are secure.
2. Loosen all shipping bracket mounting screws by one or two turns, but do not remove the screws. This will allow a small amount of travel for counterbalance setup.
3. Connect the airline to the air supply, and slowly turn on the supply pressure to the counterbalance. The pressure supply should exceed the pressure determined by [Figure 2-5](#).
 - a. The tabletop should still be hanging from the loose shipping brackets. If the tabletop starts to slowly rise, gradually lower the air supply pressure using the stage regulator knob (refer to [Figure 1-3](#)) until the carriage hangs from the shipping brackets. Counterclockwise rotation of the knob decreases the pressure to the counterbalance cylinder.
4. Slowly increase pressure to the cylinder (clockwise rotation of the regulator knob) until the carriage just starts to rise. Adjust the pressure with the regulator such that when you move the carriage to a new position by hand, the carriage neither rises nor falls.
5. The system is now balanced.
6. Remove the shipping brackets. Retain the shipping brackets for future use.
7. Proceed with the electrical installation and test the motion control system in accordance with the system documentation. For information on electrical connections, refer to [Chapter 3: Electrical Installation](#).

To turn off the air supply to the stage after the shipping brackets are removed:

1. Make sure the stage is not under servo control.
2. Gently push the carriage down to the bottom of travel until the mechanical shock engages.
3. Turn off the counterbalance pressure. Once the counterbalance pressure has completely bled out, release the hand pressure on the carriage.

To change the payload on the stage (add or remove mass), refer to [Section 2.4](#).

2.4. Attaching the Payload to the Stage

Inspect the mounting surface for dirt or unwanted residue and clean if necessary. Clean the mounting surface with a lint-free cloth and acetone or isopropyl alcohol and allow the cleaning solvent to completely dry. Gently place the stage on the mounting surface.

Use a representative payload during start-up to prevent accidental damage to the stage and the payload. Proceed with the electrical installation and test the motion control system in accordance with the system documentation. Document all results for future reference. For information on electrical installation refer to [Chapter 3: Electrical Installation](#) and the documentation delivered with the stage.



IMPORTANT: If your ANT95LZ was purchased with Aerotech controls, it could have been tuned with a representative payload based on the information provided at the time of order. If you start the ANT95LZ without a payload, the servo gains provided by Aerotech with the shipment may not be appropriate and servo instability can occur. Refer to the controller help file for tuning assistance.

The payload must be flat, rigid, and comparable to the stage in quality to maintain optimum performance.



IMPORTANT: For valid system performance, the mounting interface should be flat within 5 μm .



WARNING: Be careful when you attach the payload to the stage table.

- If a screw extends through the stage table, it can affect travel and damage the stage.
- Refer to the dimensions in [Section 2.2.](#) for maximum allowable thread engagement.

Applied loads should be symmetrically distributed whenever possible. The payload should be centered on the stage table and the entire stage should be centered on the support structure.

Tightening torque values for the mounting hardware are dependent on the properties of the surface to which the stage is being mounted. Values provided in [Table 2-3](#) are typical values and may not be accurate for your mounting surface. Refer to [Section 2.2.](#) for mounting locations and dimensions.

Table 2-3: Payload to Stage Surface Hardware

Mounting Hardware	Typical Screw Torque
M4 SHCS	2.0 N·m [18 lb-in]



IMPORTANT: If possible, use 3-point mounting when you attach the payload to the stage.

If cantilevered loads are applied, refer to [Figure 2-6](#) to find the loading condition. Refer to [Figure 2-7](#) to find the maximum allowable load.



WARNING: Refer to the counterbalance setup instructions if the payload on the stage is changed ([Section 2.3.1.](#)).



IMPORTANT: Do not turn off air supply to system. You will need make adjustments to the pneumatic pressure in this procedure.

ANT95LZ Payload Mounting Steps:

1. Secure the ANT95LZ to the mounting surface (refer to [Section 2.3.](#)).
2. Confirm that all electrical power is disconnected before you make any mechanical adjustments.
3. Make sure that the shipping bracket is removed from the stage.
4. Adjust the air supply pressure until the tabletop reaches equilibrium.
5. With the air supply on, securely reattach the shipping bracket to the stage.
6. Attach the payload to the stage.
7. Loosen but do not remove the two M3 button head screws that secure the shipping clamp to the tabletop. This will allow the tabletop to fall a small amount.
8. Adjust the air supply pressure until the tabletop reaches equilibrium.
9. Completely remove the shipping clamp, and verify the stage is at equilibrium. Make adjustments as necessary.
10. Reconnect the electrical power.

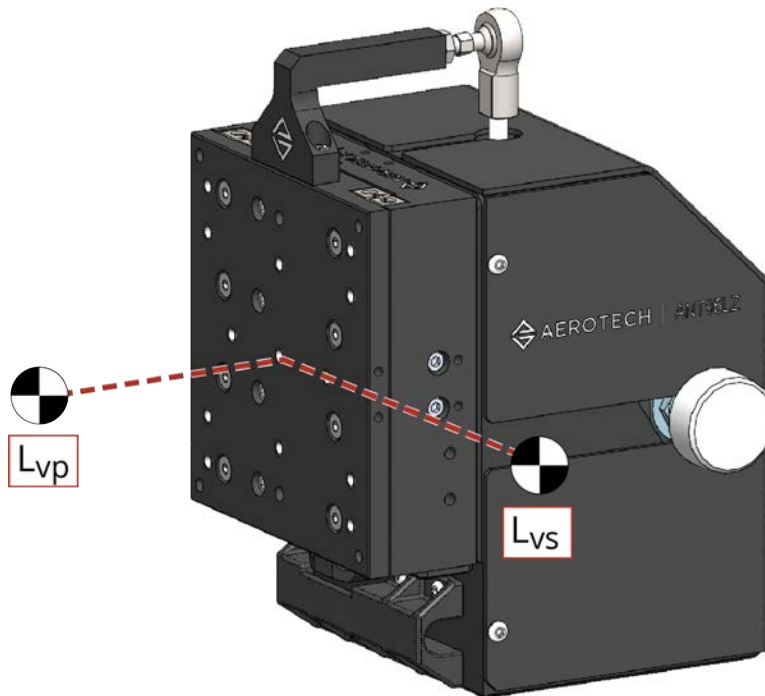


Figure 2-6: Load Orientations

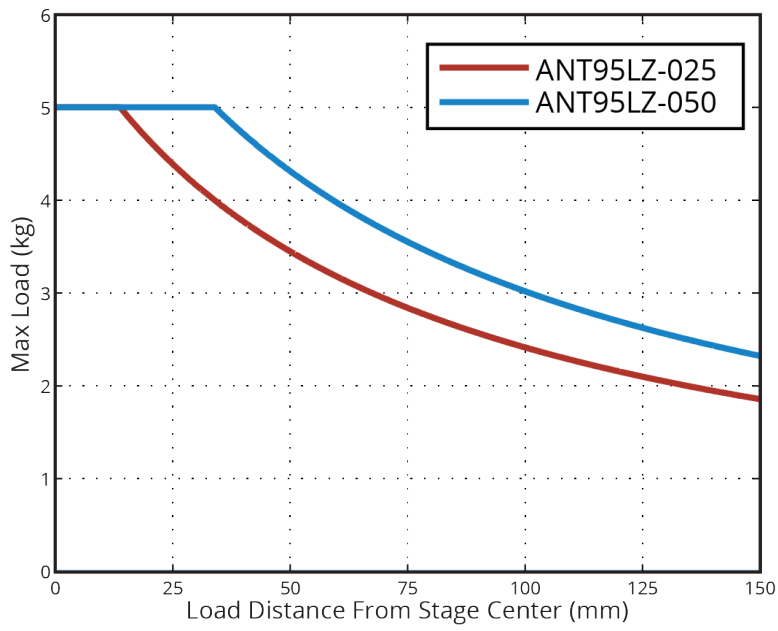


Figure 2-7: Cantilevered Load Capabilities

This page intentionally left blank.

Chapter 3: Electrical Installation



DANGER: To decrease the risk of electrical shock, injury, death, and damage to the equipment, obey the precautions that follow.

- Restrict access to the stage when it is connected to a power source.
- Do not connect or disconnect electrical components, wires, and cables while this product is connected to a power source.
- Before you do maintenance to the equipment, disconnect the electrical power.
- Uncouple or otherwise prevent motor-coupled machinery movement when you do service to the equipment.
- Make sure that all components are grounded correctly and that they obey the local electrical safety requirements.
- The drive must contain a properly-sized fuse, matched to the motor cable wire size.
- Supply each operator with the necessary protection from live electrical circuits.



WARNING: Applications that require access to the ANT95LZ must be restricted to qualified and trained personnel. The system integrator or qualified installer is responsible for determining and meeting all safety and compliance requirements when they integrate the ANT95LZ into a completed system.

Electrical installation requirements will depend on the ordered product options. Installation instructions in this section are for Aerotech stages equipped with standard Aerotech motors intended for use with an Aerotech motion control system. Contact Aerotech for further information on products that are otherwise configured.

Aerotech motion control systems are adjusted at the factory for optimum performance. When the ANT95LZ is part of a complete Aerotech motion control system, setup should only require that you connect the stage to the appropriate drive chassis with the cables provided. Labels on the system components should indicate the appropriate connections.

If system level integration was purchased, an electrical drawing that shows the system interconnects has been supplied with the system (separate from this documentation).

The electrical wiring from the motor and encoder are integrated at the factory. Refer to the sections that follow for standard motor wiring and connector pinouts.



IMPORTANT: Refer to the controller documentation to adjust servo gains for optimum velocity and position stability.

3.1. Motor and Feedback Connectors

Stages equipped with standard motors and encoders come from the factory completely wired and assembled.



IMPORTANT: Refer to the other documentation accompanying your Aerotech equipment. Call your Aerotech representative if there are any questions on system configuration.



IMPORTANT: If using standard Aerotech motors and cables, motor and encoder connection adjustments are not required.

The protective ground connection of the ANT95LZ provides motor frame ground protection only. Additional grounding and safety precautions are required for applications requiring access to the stage while it is energized. The System Integrator or qualified installer is responsible for determining and meeting all safety and compliance requirements necessary for the integration of this stage into the final application.



DANGER: The protective ground connection must be properly installed to minimize the possibility of electric shock.



DANGER: The stage controller must provide over-current and over-speed protection. Failure to do so could cause electric shock or damage to the equipment.

Table 3-1: 25-Pin Motor and Feedback Connector Pinout


Pin	Description	Connector
Case	Shield Connection	
1	Key	
2	COS- (Encoder Cosine-)	
3	SIN- (Encoder Sine-)	
4	MRK- (Encoder Marker-)	
5	Common ground	
6	Common ground	
7	-/CCW LMT (The limit signal that shows the maximum permitted machine travel in negative or counterclockwise encoder counts.)	
8	Hall Effect Sensor (Phase A)	
9	Hall Effect Sensor (Phase C)	
10	Frame Ground	
11	Motor Phase A	
12	Motor Phase B	
13	Motor Phase C	
14	COS+ (Encoder Cosine+)	
15	SIN+ (Encoder Sine+)	
16	MRK+ (Encoder Marker+)	
17	5V Power Supply Input	
18	Reserved	
19	+/CW LMT (The limit signal that shows the maximum permitted machine travel in positive or clockwise encoder counts.)	
20	Over-Temperature Thermistor Sensor	
21	Hall Effect Sensor (Phase B)	
22	Shield Connection	
23	Motor Phase A	
24	Motor Phase B	
25	Motor Phase C	

Table 3-2: 25-Pin Mating Connector Part Numbers

Mating Connector	Aerotech P/N	Third Party P/N
25-Socket D-Connector	ECK00300	FCI DB25S064TLF
Backshell	ECK00656	Amphenol 17E-1726-2

3.2. Motor and Feedback Wiring

Shielded cables are required for the motor and feedback connections.

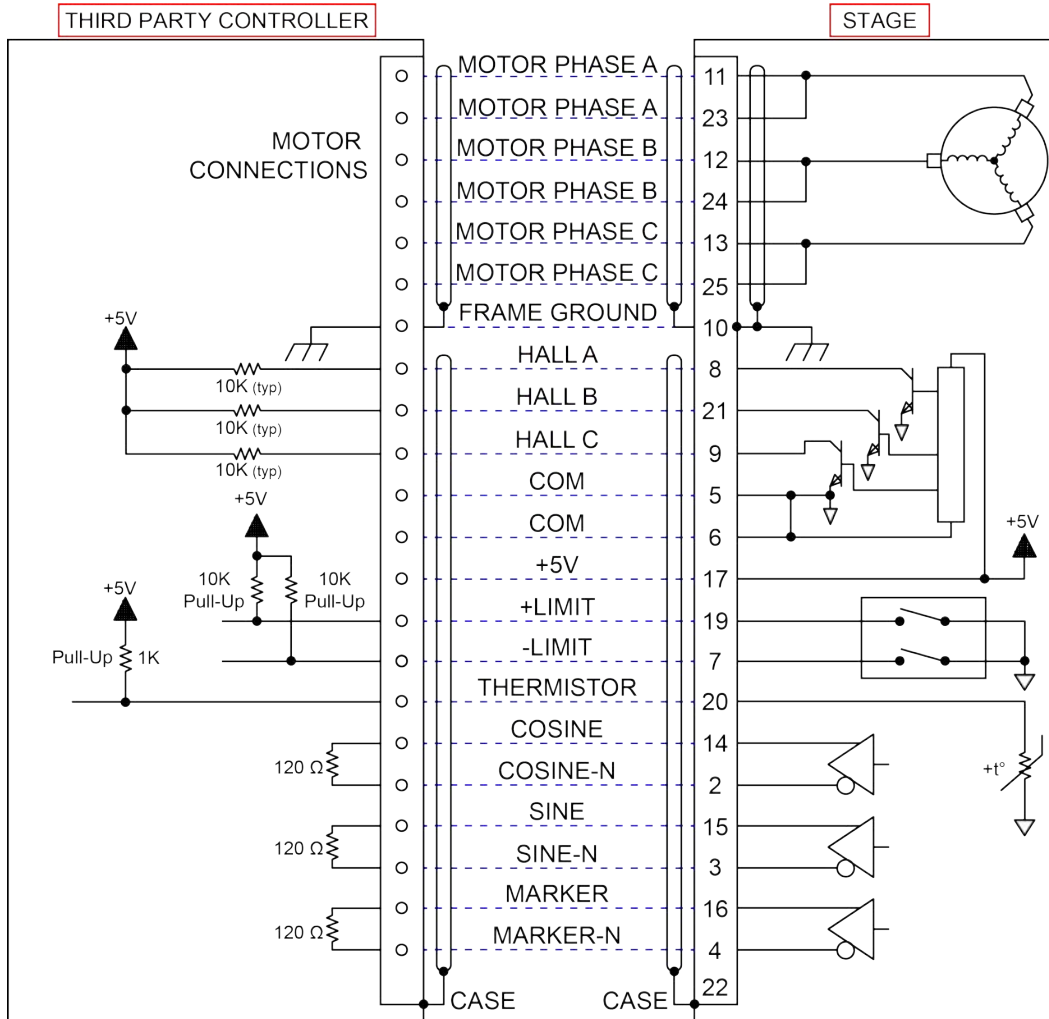


Figure 3-1: ANT95LZ Motor and Feedback Wiring

3.3. Motor and Feedback Specifications

Table 3-3: Hall-Effect Sensor Specifications

	Specification
Supply Voltage	5 V \pm 5%
Supply Current	50 mA
Output Type	Open Collector
Output Voltage	24 V max (pull up)
Output Current	5 mA (sinking)

Table 3-4: Thermistor Specifications

	Specification
Polarity	Logic "0" (no fault)
	Logic "1" (over-temperature fault)
Cold Resistance	\sim 100 Ω
Hot Resistance	\sim 10 K
Note: 1K pull-up to +5V recommended.	

Table 3-5: Encoder Specifications

	Specification
Supply Voltage	5 V \pm 5%
Supply Current	250 mA (typical)
Output Signals	Sinusoidal Type (Incremental Encoder): 1 V _{pk-pk} into 120 Ω Load (differential signals SIN+, SIN-, COS+, COS- are .5 V _{pk-pk} relative to ground.)
	Digital Output (Incremental Encoder): RS422/485 compatible

Table 3-6: Limit Switch Specifications

	Specification
Supply Voltage	5 V \pm 5%
Supply Current	25 mA
Output Type	Open Collector
Output Voltage	5 V
Output Current	10 mA (sinking)
Output Polarity (Factory Configured)	Normally Closed (NC) <ul style="list-style-type: none"> Sinks current to ground (Logic "0") when not in limit High impedance (Logic "1") when in limit Requires external pull-up to +5 V (10 kΩ recommended)
Note: If the ANT95LZ is driven beyond the electrical limit, it will encounter a mechanical stop. Impacting the mechanical stop could cause damage to the stage even at low speeds.	

Table 3-7: ANT95LZ Motor Specifications

		Linear Motor [ANT95LZ-025]	Linear Motor [ANT95LZ-050]
Performance Specifications^(1,5)			
Continuous Force ⁽²⁾	N (lb)	7.7 (1.73)	9.7 (2.17)
Electrical Specifications⁽⁵⁾			
Winding Designation		-A	-A
BEMF Constant (Line to Line, Max)	V/m/s (V/in/s)	2.86 (0.07)	3.78 (0.10)
Continuous Current ⁽²⁾	Amp _{pk} (Amp _{rms})	3.10 (2.19)	2.94 (2.08)
Peak Current, Stall ⁽³⁾	Amp _{pk} (Amp _{rms})	12.40 (8.77)	11.76 (8.31)
Force Constant, Sine Drive ^(4, 8)	N/Amp _{pk} (lb/Amp _{pk})	2.48 (0.56)	3.28 (0.74)
	N/Amp _{rms} (lb/Amp _{rms})	3.51 (0.79)	4.65 (1.05)
Motor Constant ^(2,4)	N/√W (lb/√W)	1.21 (0.27)	1.41 (0.32)
Resistance, 25°C (Line to Line)	ohms	4.0	5.2
Inductance (Line to Line)	mH	0.51	0.70
Thermal Resistance	°C/W	2.48	2.12
Maximum Bus Voltage	VDC	80	80
Magnetic Pole Pitch	mm (in)	16.00 (0.63)	16.00 (0.63)
1. Performance is dependent upon heat sink configuration, system cooling conditions, and ambient temperature 2. Values shown @ 100°C rise above a 25°C ambient temperature, with motor mounted to the specified aluminum heat sink. 3. Peak force assumes correct rms current; consult Aerotech. 4. Force constant and motor constant specified at stall 5. All performance and electrical specifications ±10% 6. Maximum winding temperature is 125°C. 7. Ambient operating temperature range 0 °C - 25 °C; consult Aerotech for performance in elevated ambient temperatures 8. All Aerotech amplifiers are rated Apk; use force constant in N·m/Apk when sizing.			

Table 3-8: Encoder Resolution

Encoder Option	Fundamental Signal Period	Resolution
[-E1] w/ x4000 Interpolation	20 micron	5 nm
[-E1] w/ x16000 Interpolation	20 micron	1.25 nm
[-E2]	20 micron	5 nm
[-E4] w/ x4000 Interpolation	4 micron	1 nm
[-E4] w/ x16000 Interpolation	4 micron	0.25 nm

3.4. Limits, Marker, and Machine Direction

Aerotech stages are configured to have positive and negative "machine" directions. The machine direction defines the phasing of the feedback and motor signals and is dictated by the stage wiring (refer to [Section 3.2.](#)). Programming direction of a stage is set by the controller that is used to move the stage. Programming direction is typically selectable in the controller, while machine direction is hardwired in the stage. [Figure 3-2](#) shows the machine direction of ANT95LZ stages.

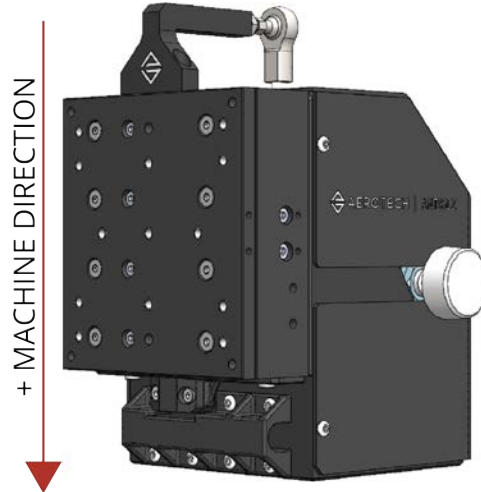


Figure 3-2: Machine Direction

3.5. Motor and Feedback Phasing

Motor phase voltage is measured relative to the virtual wye common point.

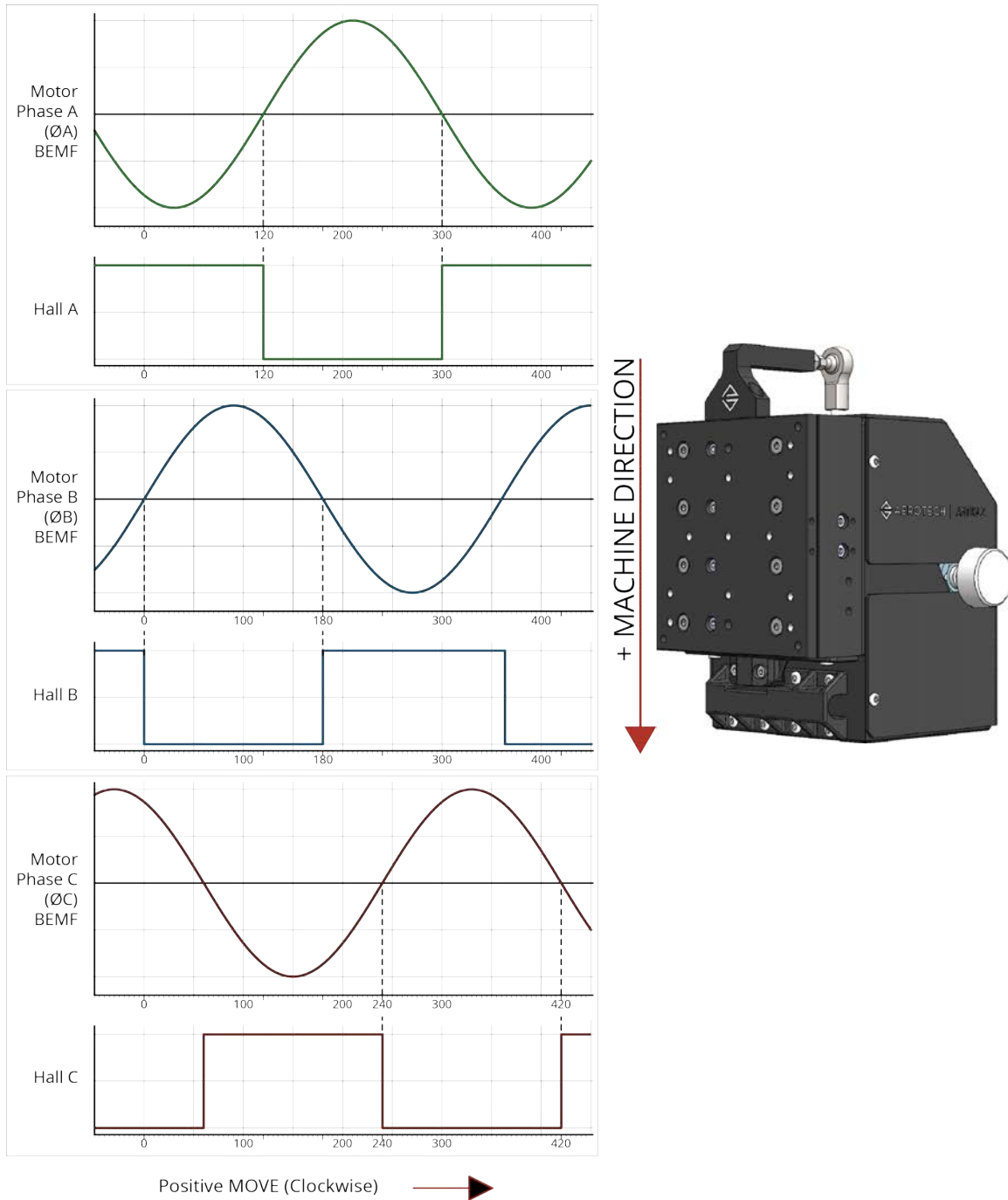


Figure 3-3: Hall Phasing Diagram

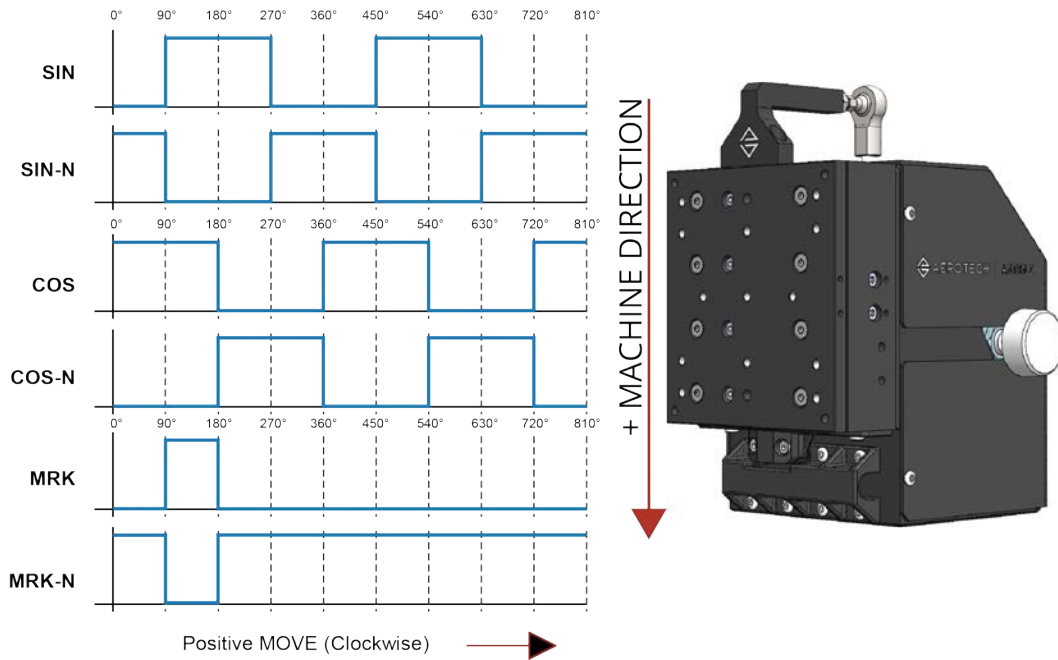


Figure 3-4: Encoder Phasing Reference Diagram (Standard/Square Wave)

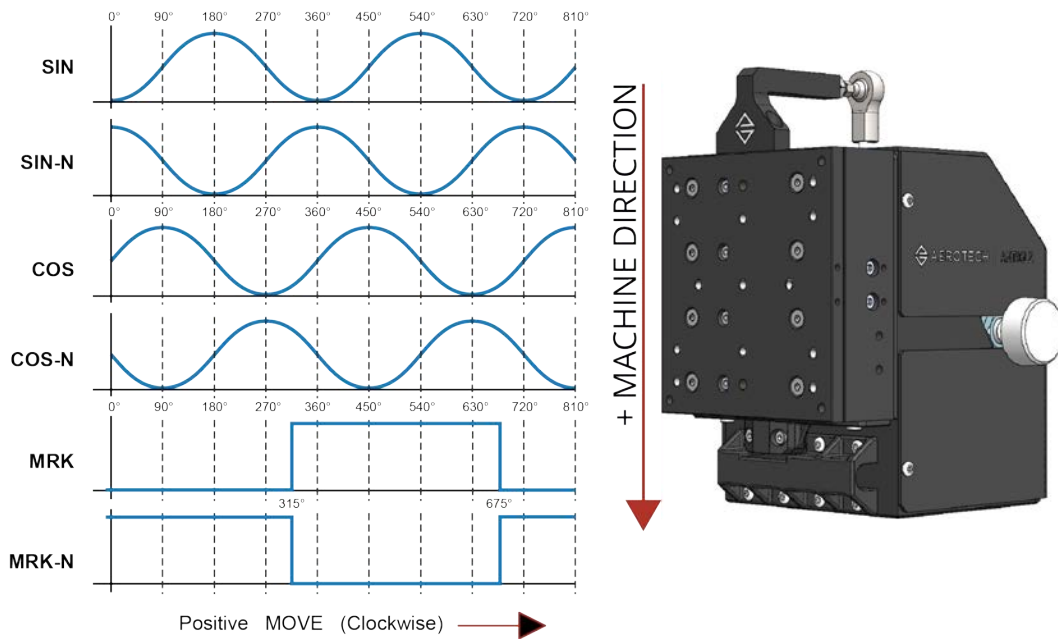


Figure 3-5: Encoder Phasing Reference Diagram (Analog/Sine Wave)

This page intentionally left blank.

Chapter 4: Maintenance



DANGER: To decrease the risk of electrical shock, injury, death, and damage to the equipment, obey the precautions that follow.

- Do not connect or disconnect electrical components, wires, and cables while this product is connected to a power source.
- Before you do maintenance to the equipment, disconnect the electrical power.
- Uncouple or otherwise prevent motor-coupled machinery movement when you do service to the equipment.



IMPORTANT: Keep the bearing area free of foreign matter and moisture or the performance and life expectancy of the stage will be reduced.

4.1. Service and Inspection Schedule

Inspect the ANT95LZ at least once per month. The need for a longer or shorter inspection interval will depend on the application and conditions, such as the duty cycle, speed, and environment.

Monthly inspections should include but not be limited to:

- Visually inspect the stage and cables.
- Re-tighten loose connectors.
- Replace or repair damaged cables.
- Clean the ANT95LZ and any components and cables as needed.
- Repair any damage before operating the ANT95LZ.
- Inspect and perform an operational check on all safeguards and protective devices.

4.2. Cleaning and Lubrication



DANGER: Before you do maintenance to the equipment, disconnect the electrical power.

In general, if the stage operates in a clean environment, it should be cleaned and lubricated annually or every 500 km (whichever comes first). For stages that are operated under conditions with excessive debris, the stage should be cleaned every six months. For high-speed applications (those near max speed at a duty cycle of 50%), more frequent maintenance with standard lubricants will be required.

When you clean and/or lubricate components of the ANT95LZ series stage:

1. Be sure to use a clean, dry, soft, lint-free cloth for cleaning.
2. Before you use a cleaning solvent on any part of the stage, blow away small particles and dust with clean, dry, compressed air.
3. Take the opportunity during the lubrication procedure to inspect the motion guides or bearings for any damage or signs of wear.
4. In applications that have multiple stages bolted together to form multi-axis systems, the orthogonality may be lost if the stage tables of the support stages are loosened. Precision aligned stages should not be loosened or disassembled.
5. We recommend that you do not disassemble the stage beyond the instructions given in this manual. Proper assembly and calibration can only be done at the factory. Contact Aerotech for more information.

Cleaning

Use isopropyl alcohol on a lint-free cloth to clean any external metal surface of the ANT95LZ.



WARNING: Make sure that all solvent has completely evaporated before you move the stage.

Lubrication

You should only use Kluberplex BEM 34-132 as the standard lubricant for ANT95LZ stages.

If the application process uses only a small portion of travel for most of the duty cycle, periodically drive the stage through full travel to redistribute the lubrication in the bearings.



IMPORTANT: During the lubrication procedure, inspect the linear motion guides for damage or signs of wear.



IMPORTANT: Ensure that the pneumatic counterbalance has been properly configured (refer to [Section 2.3.1.](#)).

1. Drive the stage table to one end of travel and remove power to the stage.
2. Remove any accumulated dust or debris that is visible inside of the assembly.
3. Remove any dirty or dried lubricant from the v-channels of the linear bearing rails.
 - Use a clean, lint-free cloth with a side-to-side motion.
 - Use a swab soaked in Isopropyl Alcohol to remove stubborn debris.
4. Apply a thin, continuous film of lubricant to the exposed v-channels of the cross rollers on both ends of the stage.
 - Aerotech recommends that you use a good quality, natural bristle artist's brush for the applicator.
 - Do not use any applicator that could scratch or otherwise damage the v-channels.
5. Manually move the stage to the opposite end of travel.
 - This will work the grease into the linear bearing guides.
 - The stage table should move freely with little resistance.
6. Repeat steps 2 through 4 for any areas covered by the original table position.
7. Restore power to the stage and drive the stage table back to its original position to redistribute lubricants.

4.3. Troubleshooting

Symptom	Possible Cause and Solution
Stage will not move	Shipping brackets still installed. Remove the red anodized shipping brackets. Brake not released (if equipped with brake; refer to stage documentation). In Limit condition. Check limits (refer to Chapter 3: Electrical Installation) and refer to the Controller documentation for polarity and compatibility requirements (Example: voltage requirements). Controller trap or fault (refer to the Controller documentation).
Stage moves uncontrollably	Encoder (sine and cosine) signal connections (refer to Chapter 3: Electrical Installation and Controller documentation). Motor Connections (refer to Chapter 3: Electrical Installation and the Controller documentation).
Stage oscillates or squeals	Gains misadjusted (refer to the Controller documentation). Encoder signals (refer to the Controller documentation).

Appendix A: Warranty and Field Service

Aerotech, Inc. warrants its products to be free from harmful defects caused by faulty materials or poor workmanship for a minimum period of one year from date of shipment from Aerotech. Aerotech's liability is limited to replacing, repairing or issuing credit, at its option, for any products that are returned by the original purchaser during the warranty period. Aerotech makes no warranty that its products are fit for the use or purpose to which they may be put by the buyer, whether or not such use or purpose has been disclosed to Aerotech in specifications or drawings previously or subsequently provided, or whether or not Aerotech's products are specifically designed and/or manufactured for buyer's use or purpose. Aerotech's liability on any claim for loss or damage arising out of the sale, resale, or use of any of its products shall in no event exceed the selling price of the unit.

THE EXPRESS WARRANTY SET FORTH HEREIN IS IN LIEU OF AND EXCLUDES ALL OTHER WARRANTIES, EXPRESSED OR IMPLIED, BY OPERATION OF LAW OR OTHERWISE. IN NO EVENT SHALL AEROTECH BE LIABLE FOR CONSEQUENTIAL OR SPECIAL DAMAGES.

Return Products Procedure

Claims for shipment damage (evident or concealed) must be filed with the carrier by the buyer. Aerotech must be notified within thirty (30) days of shipment of incorrect material. No product may be returned, whether in warranty or out of warranty, without first obtaining approval from Aerotech. No credit will be given nor repairs made for products returned without such approval. A "Return Materials Authorization (RMA)" number must accompany any returned product(s). The RMA number may be obtained by calling an Aerotech service center or by submitting the appropriate request available on our website (www.aerotech.com). Products must be returned, prepaid, to an Aerotech service center (no C.O.D. or Collect Freight accepted). The status of any product returned later than thirty (30) days after the issuance of a return authorization number will be subject to review.

Visit [Global Technical Support Portal](#) for the location of your nearest Aerotech Service center.

Returned Product Warranty Determination

After Aerotech's examination, warranty or out-of-warranty status will be determined. If upon Aerotech's examination a warranted defect exists, then the product(s) will be repaired at no charge and shipped, prepaid, back to the buyer. If the buyer desires an expedited method of return, the product(s) will be shipped collect. Warranty repairs do not extend the original warranty period.

Fixed Fee Repairs - Products having fixed-fee pricing will require a valid purchase order or credit card particulars before any service work can begin.

All Other Repairs - After Aerotech's evaluation, the buyer shall be notified of the repair cost. At such time the buyer must issue a valid purchase order to cover the cost of the repair and freight, or authorize the product(s) to be shipped back as is, at the buyer's expense. Failure to obtain a purchase order number or approval within thirty (30) days of notification will result in the product(s) being returned as is, at the buyer's expense.

Repair work is warranted for ninety (90) days from date of shipment. Replacement components are warranted for one year from date of shipment.

Rush Service

At times, the buyer may desire to expedite a repair. Regardless of warranty or out-of-warranty status, the buyer must issue a valid purchase order to cover the added rush service cost. Rush service is subject to Aerotech's approval.

On-site Warranty Repair

If an Aerotech product cannot be made functional by telephone assistance or by sending and having the customer install replacement parts, and cannot be returned to the Aerotech service center for repair, and if Aerotech determines the problem could be warranty-related, then the following policy applies:

Aerotech will provide an on-site Field Service Representative in a reasonable amount of time, provided that the customer issues a valid purchase order to Aerotech covering all transportation and subsistence costs. For warranty field repairs, the customer will not be charged for the cost of labor and material. If service is rendered at times other than normal work periods, then special rates apply.

If during the on-site repair it is determined the problem is not warranty related, then the terms and conditions stated in the following "On-Site Non-Warranty Repair" section apply.

On-site Non-Warranty Repair

If any Aerotech product cannot be made functional by telephone assistance or purchased replacement parts, and cannot be returned to the Aerotech service center for repair, then the following field service policy applies:

Aerotech will provide an on-site Field Service Representative in a reasonable amount of time, provided that the customer issues a valid purchase order to Aerotech covering all transportation and subsistence costs and the prevailing labor cost, including travel time, necessary to complete the repair.

Service Locations

<http://www.aerotech.com/contact-sales.aspx?mapState=showMap>

USA, CANADA, MEXICO

Aerotech, Inc.
Global Headquarters

CHINA

Aerotech China
Full-Service Subsidiary

GERMANY

Aerotech Germany
Full-Service Subsidiary

TAIWAN

Aerotech Taiwan
Full-Service Subsidiary

UNITED KINGDOM

Aerotech United Kingdom
Full-Service Subsidiary

Appendix B: Revision History

Revision	Description
2.00	<ul style="list-style-type: none">• Product update to Gen 2 version of ANT95LZ• Declaration of Conformity updated
1.00	New manual

This page intentionally left blank.

Index

			L	
			label	15
			Limit Switch Specifications	31
			Lubrication	39
			M	
			mounting surface	
			cleaning	19,23
			securing stage	19
			multiaxis combinations	38
			N	
			nitrogen	14
			P	
			part number	15
			Possible Cause	40
			Protection Rating	12
			protective ground connection	28
			S	
			serial number	15
			shimming	19
			Solution	40
			solvents	38
			Specifications	13
			Encoder	31
			Hall-Effect Sensors	31
			Limit Switch	31
			Thermistor Specifications	31
			stabilizing stage	15
			stage	
			distortion	19
			stabilizing	15
			Symptom	40
			T	
			Table of Contents	3
			Temperature Effects	12
			Thermistor Specifications	31
			Troubleshooting	40
	2			
2006/42/EC		9		
2011/65/EU		9		
	A			
Accuracy and Temperature Effects		12		
Accuracy of the Ballscrew		12		
air				
nitrogen		14		
Altitude		12		
Ambient Temperature		12		
Attaching the Payload		23		
	C			
cleaning				
mounting surface		19,23		
Cleaning		38		
cleaning solvent		38		
compressed air		14		
	D			
Dimensions		17		
Directive 2006/42/EC		9		
	E			
Electrical Installation		27		
EN 60204-1 2010		9		
EN ISO 12100 2010		9		
Encoder Specifications		31		
EU 2015/863		9		
	H			
Hall-Effect Sensors Specifications		31		
Humidity		12		
	I			
Inspection Schedule		37		
isopropyl alcohol		38		

U

Unpacking and Handling the Stage 15

V

Vibration 12

W

Warnings 7

Warranty and Field Service 41