



# ANT95XY Series Two-Axis Direct-Drive Nanopositioning Stage

## HARDWARE MANUAL

Revision 2.00



## GLOBAL TECHNICAL SUPPORT

Go to the [Global Technical Support Portal](#) for information and support about your Aerotech, Inc. products. The website supplies software, product manuals, Help files, training schedules, and PC-to-PC remote technical support. If necessary, you can complete Product Return (RMA) forms and get information about repairs and spare or replacement parts. To get help immediately, contact a service office or your sales representative. Include your customer order number in your email or have it available before you call.

This manual contains proprietary information and may not be reproduced, disclosed, or used in whole or in part without the express written permission of Aerotech, Inc. Product names mentioned herein are used for identification purposes only and may be trademarks of their respective companies.

Copyright © 2010-2021, Aerotech, Inc., All rights reserved.



## Table of Contents

<b>ANT95XY Series Two-Axis Direct-Drive Nanopositioning Stage</b> .....	<b>1</b>
Table of Contents .....	3
List of Figures .....	4
List of Tables .....	5
Safety Procedures and Warnings .....	7
EU Declaration of Incorporation .....	9
<b>Chapter 1: Overview</b> .....	<b>11</b>
1.1. Environmental Specifications .....	12
1.2. Accuracy and Temperature Effects .....	12
1.3. Basic Specifications .....	13
1.4. Vacuum Operation .....	14
<b>Chapter 2: Installation</b> .....	<b>15</b>
2.1. Unpacking and Handling the Stage .....	15
2.2. Dimensions .....	16
2.3. Securing the Stage to the Mounting Surface .....	18
2.4. Attaching the Payload to the Stage .....	20
<b>Chapter 3: Electrical Installation</b> .....	<b>23</b>
3.1. Motor and Feedback Connectors .....	24
3.2. Motor and Feedback Wiring .....	26
3.3. Motor and Feedback Specifications .....	27
3.4. Limits, Marker, and Machine Direction .....	29
3.5. Motor and Feedback Phasing .....	30
<b>Chapter 4: Maintenance</b> .....	<b>33</b>
4.1. Service and Inspection Schedule .....	33
4.2. Cleaning and Lubrication .....	34
4.3. Troubleshooting .....	36
<b>Appendix A: Warranty and Field Service</b> .....	<b>37</b>
<b>Appendix B: Revision History</b> .....	<b>39</b>
<b>Index</b> .....	<b>41</b>

## List of Figures

Figure 1-1: GEN2 vs GEN1 Visual Comparison .....	11
Figure 2-1: Shipping Brackets .....	15
Figure 2-2: ANT95XY-025 Dimensions .....	16
Figure 2-3: ANT95XY-025 Mounting Plate Dimensions .....	16
Figure 2-4: ANT95XY-050 Dimensions .....	17
Figure 2-5: ANT95XY-050 Mounting Plate Dimensions .....	17
Figure 2-6: Mounting Hole Pattern .....	19
Figure 2-7: Load Orientations .....	21
Figure 2-8: Cantilevered Load Capabilities .....	21
Figure 3-1: ANT95XY Motor and Feedback Wiring .....	26
Figure 3-2: Machine Direction .....	29
Figure 3-3: Hall Phasing Diagram .....	30
Figure 3-4: Encoder Phasing Reference Diagram (Standard/Square Wave) .....	31
Figure 3-5: Encoder Phasing Reference Diagram (Analog/Sine Wave) .....	31

## List of Tables

Table 1-1: Model Numbers and Ordering Options .....	11
Table 1-2: Environmental Specifications .....	12
Table 1-3: ANT95XY Series Specifications .....	13
Table 2-1: Stage Mounting Surface Flatness Requirement .....	18
Table 2-2: Stage to Mounting Surface Hardware .....	18
Table 2-3: Payload to Stage Surface Hardware .....	20
Table 3-1: 25-Pin Motor and Feedback Connector Pinout .....	25
Table 3-2: 25-Pin Mating Connector Part Numbers .....	25
Table 3-3: Hall-Effect Sensor Specifications .....	27
Table 3-4: Thermistor Specifications .....	27
Table 3-5: Encoder Specifications .....	27
Table 3-6: Limit Switch Specifications .....	27
Table 3-7: ANT95XY Motor Specifications .....	28
Table 3-8: Encoder Resolution .....	28

*This page intentionally left blank.*

## Safety Procedures and Warnings



**IMPORTANT:** This manual tells you how to carefully and correctly use and operate the stage.

- Read all parts of this manual before you install or operate the stage or before you do maintenance to your system.
- To prevent injury to you and damage to the equipment, obey the precautions in this manual.
- All specifications and illustrations are for reference only and were complete and accurate as of the release of this manual. To find the newest information about this product, refer to [www.aerotech.com](http://www.aerotech.com).

If you do not understand the information in this manual, contact Aerotech Global Technical Support.



**IMPORTANT:** This product has been designed for light industrial manufacturing or laboratory environments. If the product is used in a manner not specified by the manufacturer:

- The protection provided by the equipment could be impaired.
- The life expectancy of the product could be decreased.



**DANGER:** To decrease the risk of electrical shock, injury, death, and damage to the equipment, obey the precautions that follow.

- Restrict access to the stage when it is connected to a power source.
- Do not connect or disconnect electrical components, wires, and cables while this product is connected to a power source.
- Before you do maintenance to the equipment, disconnect the electrical power.
- Uncouple or otherwise prevent motor-coupled machinery movement when you do service to the equipment.
- Make sure that all components are grounded correctly and that they obey the local electrical safety requirements.
- The drive must contain a properly-sized fuse, matched to the motor cable wire size.
- Supply each operator with the necessary protection from live electrical circuits.



**DANGER:** Hot surfaces. The case temperature could exceed 70°C.

- Do not touch the motor while it is in operation.
- Wait until the motor has cooled before you touch it.



**DANGER:** The motor is not rated for use in explosive atmospheres. Do not operate the motor in the presence of potentially explosive mixtures of air-borne dust or combustible vapors.



**IMPORTANT:** Equipment grounds must be in place and maintained to reduce the risk of serious or potentially fatal injury from electric shock.

**DANGER: Strong Magnets / Electromagnetic Fields**

- Motors and their associated drive, cables, and components are sources of electromagnetic fields. Persons with implanted medical devices need to evaluate the risks associated with these devices before they can enter an area where the devices are in use.
- Strong rare-earth magnets are present in the motor. Interaction with metallic objects (tools, watches, or keys, for example) could produce pinch injuries or damage to the equipment.
- Use non-magnetic tools when you do service to the motor.

**DANGER:** System travel can cause crush, shear, or pinch injuries. Restrict access to all motor and stage parts while your system is connected to a power source.

- Do not put yourself in the travel path of machinery.
- Motors are capable of very high speeds and acceleration rates.

**WARNING:** To decrease the risk of damage to the equipment, you must obey the precautions that follow

- Only trained operators should operate this equipment.
- All service and maintenance must be done by approved personnel.
- Use this product only in environments and operating conditions that are approved in this manual.
- Never install or operate equipment that appears to be damaged.
- Make sure that the product is securely mounted before you operate it.
- Use care when you move the ANT95XY or you could negatively affect the performance of it.

**WARNING:** Securely mount and position all system cables.



## EU Declaration of Incorporation

**Manufacturer** Aerotech, Inc.  
101 Zeta Drive  
Pittsburgh, PA 15238-2811  
USA

*herewith declares that the product:*

ANT95XY Linear Stage

*is intended to be incorporated into machinery to constitute machinery covered by the Directive 2006/42/EC as amended;*

*and that the following harmonized European standards have been applied:*

EN ISO 12100:2010

Safety of machinery - Basic concepts, general principles for design

EN 60204-1:2010

Safety of machinery - Electrical equipment of machines - Part 1: General requirements

*and further more declares that*

it is not allowed to put the equipment into service until the machinery into which it is to be incorporated or of which it is to be a component has been found and declared to be in conformity with the provisions of the Directive 2006/42/EC and with national implementing legislation, for example, as a whole, including the equipment referred to in this Declaration.

*This is to certify that the aforementioned product is in accordance with the applicable requirements of the following directive(s):*

2011/65/EU  
EU 2015/863

RoHS 2 Directive  
Amendment RoHS 3 Directive

**Authorized Representative**



/ Simon Smith, European Director

Aerotech Ltd  
The Old Brick Kiln, Ramsdell, Tadley  
Hampshire RG26 5PR  
UK

**Engineer Verifying Compliance**



/ Alex Weibel

Aerotech, Inc.  
101 Zeta Drive  
Pittsburgh, PA 15238-2811  
USA  
8/6/2021

**Date**



*This page intentionally left blank.*

## Chapter 1: Overview

The specifications in this manual pertain to the second generation of ANT95XY stages. The ordering options (Table 1-1) and basic specifications (Section 1.3.) have changed. The visual differences between second and first generation stages:

- an updated Aerotech logo
- and the introduction of additive (3D-printed) parts.

Refer to Figure 1-1. Contact Aerotech if you need a first generation manual.



Figure 1-1: GEN2 vs GEN1 Visual Comparison

Table 1-1: Model Numbers and Ordering Options

ANT95XY Two-Axis XY Direct-Drive Nanopositioning Stage	
<b>Travel (Required)</b>	
-025	25 mm x 25 mm travel
-050	50 mm x 50 mm travel
<b>Feedback (Required)</b>	
-E1	Incremental linear encoders, 1 Vpp amplified sine output
-E2	Incremental linear encoders, digital RS422 output, 5 nm electrical resolution
-E4	Incremental linear encoders, 1 Vpp amplified sine output, high-performance
<b>Mounting Plate (Optional)</b>	
-MP	Mounting plate
<b>Performance Grade (Required)</b>	
-PL1	Base performance
-PL3	High-accuracy performance
-PL4	Ultra high-accuracy performance
<b>Integration (Required)</b>	
-TAS	Test as system: Testing, integration, and documentation of a group of components as a complete system that will be used together.
-TAC	Test as components: Testing and integration of individual items as discrete components that ship together.

## 1.1. Environmental Specifications



**WARNING:** Do not expose this product to environments or conditions outside of the listed specifications. You could damage the equipment if you exceed the environmental or operating specifications.

**Table 1-2: Environmental Specifications**

<b>Ambient Temperature</b>	Operating: 10° to 35° C (50° to 95° F) The optimal operating temperature is 20° C $\pm$ 2° C (68° F $\pm$ 4° F). If at any time the operating temperature deviates from 20° C degradation in performance could occur.
	Storage: 0° to 40° C (32° to 104° F) in original shipping packaging
<b>Humidity</b>	Operating: 20% to 60% RH
	Storage: 10% to 70% RH, non-condensing in original packaging. The stage should be packaged with desiccant if it is to be stored for an extended time.
<b>Altitude</b>	Operating: 0 m to 2,000 m (0 ft to 6,562 ft) above sea level
	Contact Aerotech if your specific application involves use above 2,000 m or below sea level.
<b>Vibration</b>	Use the system in a low vibration environment. Excessive floor or acoustical vibration can affect system performance. Contact Aerotech for information regarding your specific application.
<b>Protection Rating</b>	These stages are not suited for dusty or wet environments. This equates to an ingress protection rating of IP00.
<b>Use</b>	Indoor use only

## 1.2. Accuracy and Temperature Effects

Aerotech products are designed for and built in a 20°C (68°F) environment. Extreme temperature changes could cause a decrease in performance or permanent damage to the stage. At a minimum, the environmental temperature must be controlled to within 0.25°C per 24 hours to ensure the stage specifications are repeatable over an extended period of time. The severity of temperature effects on all specifications depends on many different environmental conditions, which include how the stage is mounted. Contact the factory for more details.

The thermal expansion coefficient of the encoder scale is 3.25 ppm/°C. Travel will increase or decrease at this rate as the temperature of the encoder scale temperature deviates from 20°C (68°F).

The accuracy specification of stage is measured 25 mm above the table with the stage in an unloaded condition. The stage is assumed to be fully supported by a mounting surface meeting or exceeding the specification in [Section 2.3](#).

### 1.3. Basic Specifications

Resolution is dependent on encoder resolution and controller interpolation.

**Table 1-3: ANT95XY Series Specifications**

		ANT95XY-025	ANT95XY-050
Travel		25 mm x 25 mm	50 mm x 50 mm
Accuracy <sup>(1)</sup>	-PL1	± 2.5 µm	
	-PL3 (-E1, -E2)	± 250 nm	
	-PL3 (-E4)	± 200 nm	
	-PL4 (-E1, -E2)	± 250 nm	
	-PL4 (-E4)	± 200 nm	
Bidirectional Repeatability <sup>(1)</sup>		± 75 nm	
Resolution (Minimum Incremental Motion) <sup>(8)</sup>	-E1	1 nm	
	-E4	0.5 nm	
Straightness <sup>(1)</sup>	-PL1	± 1.0 µm	
	-PL3	± 1.0 µm	
	-PL4	± 250 nm	
Flatness <sup>(1)</sup>		± 1.0 µm	
Pitch		10 arc sec	
Roll		10 arc sec	
Yaw		5 arc sec	
Orthogonality	-PL1	10 arc sec	
	-PL3 <sup>(2)</sup>	3 arc sec	
	-PL4 <sup>(2)</sup>	1 arc sec	
Maximum Speed (Upper Axis)	-E1, -E4	500 mm/s	
	-E2	145 mm/s	
Maximum Acceleration (No Load)		4.5 g	2.75 g
In-Position Stability <sup>(3)</sup>	-E1	<1 nm	
	-E4	<0.5 nm	
Load Capacity <sup>(4)</sup>		4 kg	6 kg
Moving Mass	Upper Axis	0.45 kg	0.83 kg
	Lower Axis	1.30 kg	2.33 kg
Stage Mass		1.92 kg	3.47 kg
Material		Anodized Aluminum	
Mean Time Between Failure		30,000 Hours	
<p>1. Certified with each stage.  2. Available with Aerotech controllers.  3. In-position stability is reported as 3-sigma value (requires a 1 Vpp encoder).  4. Payload specifications assume that the payload is centered on-axis.  5. Specifications for -PL1 and -PL3 systems are reported per axis and measured 25 mm above the tabletop; Specifications for -PL4 systems are reported as XY and measured 25 mm above the tabletop. Performance depends upon the payload and workpoint. Consult the Aerotech factory for more information.  6. To ensure the achievement and repeatability of specifications over an extended period of time, environmental temperature must be controlled to within 0.25°C per 24 hours. Consult the Aerotech factory for more information.</p>			

## 1.4. Vacuum Operation

There are two vacuum preparation options:

- Low Vacuum (for use in atmospheric pressures to  $10^{-3}$  Torr)
- High Vacuum (preparation for environments from  $10^{-3}$  to  $10^{-6}$  Torr).

Special preparations include:

- Parts are lubricated with vacuum-compatible lubricants.
- Materials, fasteners, and coatings with vacuum outgas performance are ensured to be compatible with the specified level of vacuum.
- For high vacuum systems, situations that may allow gases to become temporarily trapped during pump down are removed.
- Prior to assembly, stage parts are thoroughly cleaned in a clean environment.
- The stage is packaged in a special polyethylene bag.

### Vacuum Guidelines

To ensure that the stage will continue to perform well in the vacuum environment, follow the guidelines listed below (in addition to standard handling, installation, and lubrication guidelines outlined in this manual).

1. Do not remove the stage from its sealed bag until it is ready for use.
2. Always handle the stage in a clean environment and use powder-free polyethylene gloves to prevent any contaminants from adhering to the surface of the stage.
3. During installation, use cleaned, vented, stainless steel fasteners to secure the stage.
4. Reduced air pressure eliminates significant convective heat transfer. This, coupled with the viscous vacuum-compatible lubricants, could result in excessive motor operating temperatures. Because of this, consider all continuous torque ratings to be 40 to 60% lower than the value specified for operation in normal atmospheric environment. Reduce motor usage accordingly.
5. We recommend that you use a small quantity of **Braycote® 602EF** grease or a compatible substitute of equal quality lubricant in vacuum applications.
6. Bake vacuum components at 60 °C for 24 to 48 hours to significantly reduce outgassing at initial pump-down to vacuum pressure and evaporate water vapor that impregnates porous surfaces on the aluminum and Teflon cables. Aerotech recommends that customers bake out vacuum systems when first installing them in the vacuum chamber. Contact Aerotech to discuss your application and the recommended bakeout procedure.

## Chapter 2: Installation



**WARNING:** The stage installation must be in accordance with the instructions provided by this manual and any accompanying documentation. Failure to follow these instructions could result in injury or damage to the equipment.

### 2.1. Unpacking and Handling the Stage



**WARNING:** It is the responsibility of the customer to safely and carefully lift and move the ANT95XY.

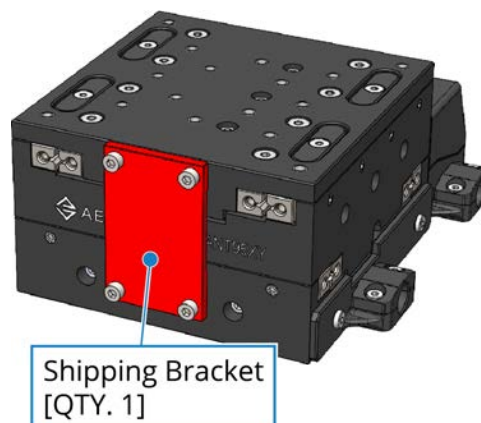
- Refer to [Section 1.3](#) for stage mass specifications.
- Use care when you move the ANT95XY or you could negatively affect the performance of it.
- Lift this product only by the base.
- For multi-axis assemblies, always lift the system by the lower axis.
- Do not use the cables or the connectors to lift or move this product.
- Make sure that all moving parts are secure before you move the stage. Unsecured moving parts could shift and cause injury or damage to the equipment.

Carefully remove the stage from its protective shipping container. Gently set the stage on a smooth, flat, and clean surface. Use compressed nitrogen or clean, dry, oil-free air to remove any dust or debris that has collected during shipping.

Before you operate the stage, let it stabilize at room temperature for at least 12 hours. This will ensure that all of the alignments, preloads, and tolerances are the same as they were when they were tested at Aerotech.

Each stage has a label listing the system part number and serial number. These numbers contain information necessary for maintenance or system hardware and software updates. Locate this label and record the information for later reference.

Red, anodized aluminum shipping brackets have been installed to prevent unwanted motion damage that could occur during shipment. The brackets must be removed before the ANT95XY can be operated. Retain the brackets and hardware for future use.



**Figure 2-1: Shipping Brackets**

2.2. Dimensions

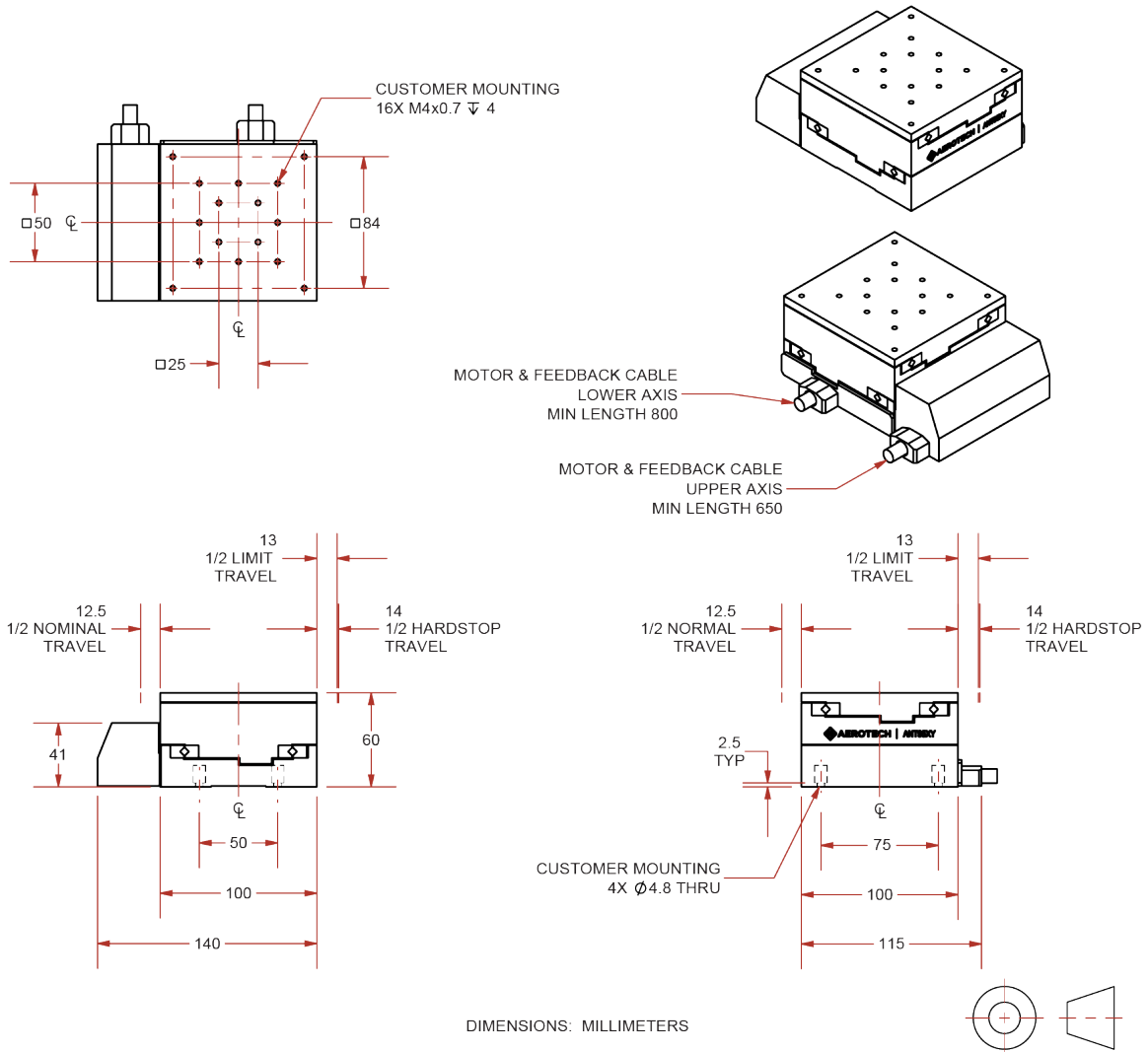


Figure 2-2: ANT95XY-025 Dimensions

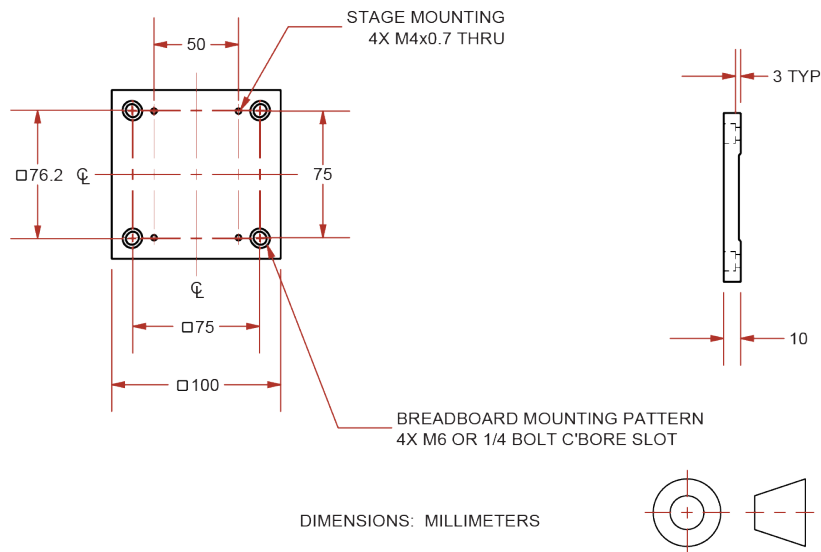


Figure 2-3: ANT95XY-025 Mounting Plate Dimensions



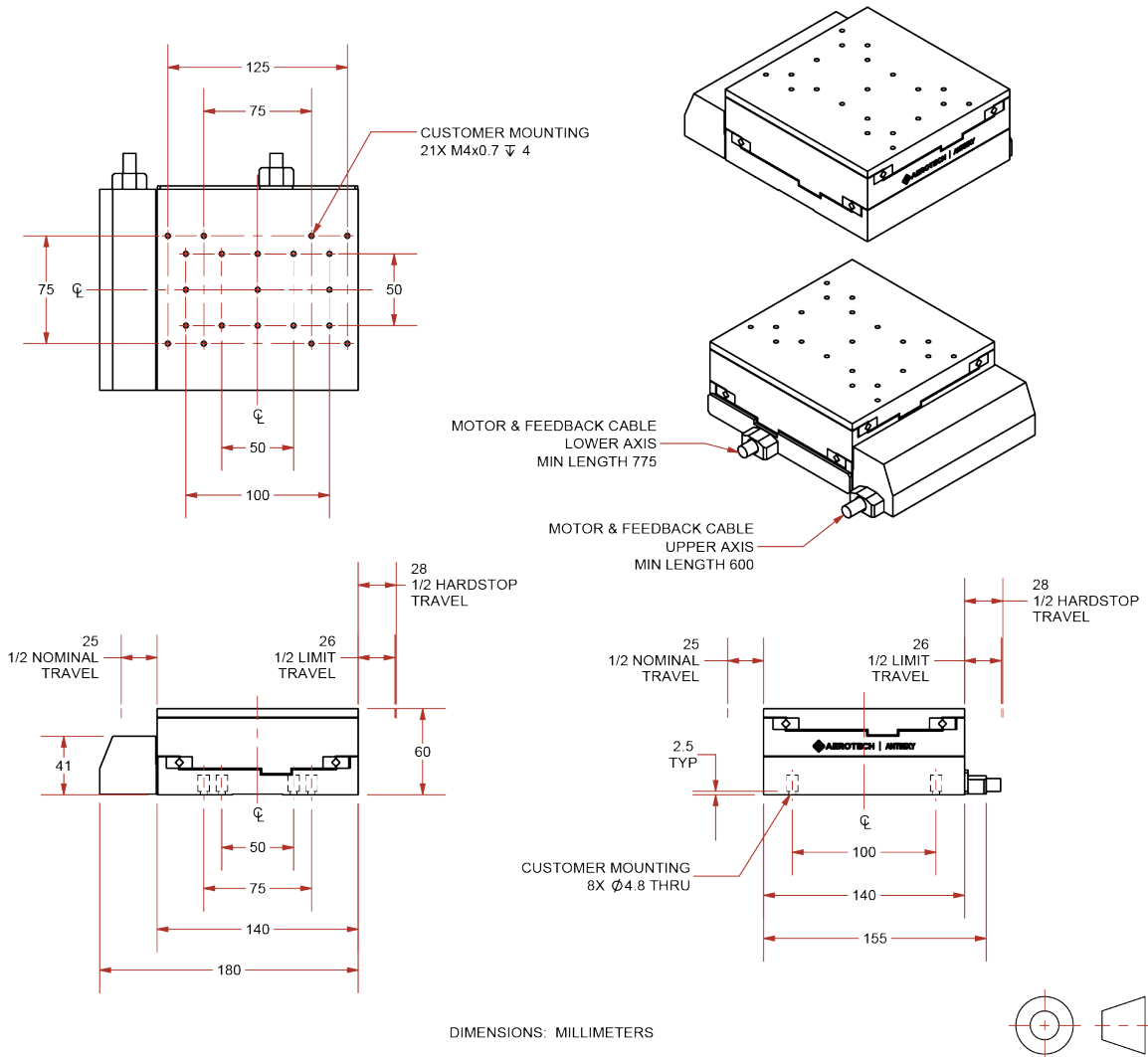


Figure 2-4: ANT95XY-050 Dimensions

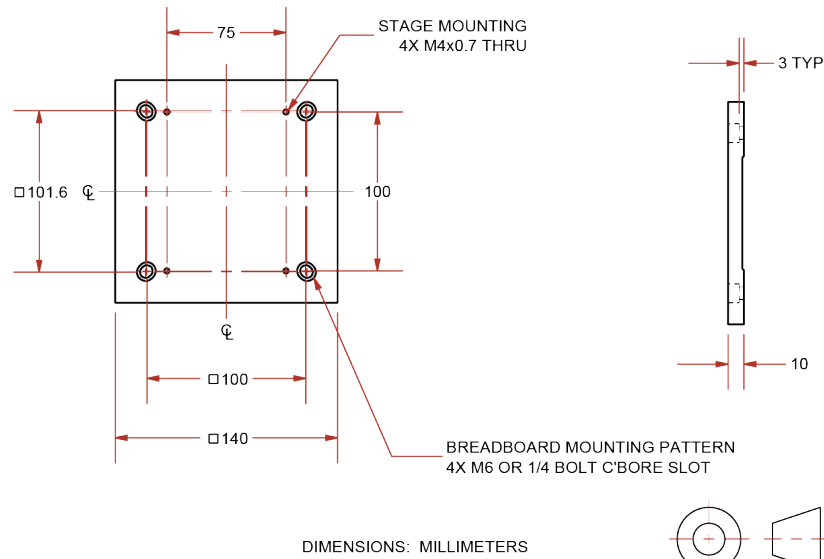


Figure 2-5: ANT95XY-050 Mounting Plate Dimensions

## 2.3. Securing the Stage to the Mounting Surface



**WARNING:** The stage must be mounted securely. Improper mounting can result in injury and damage to the equipment.



**DANGER: PINCH POINT!** Keep Hands Clear while the stage is in motion. Make sure that all moving parts are secure before you move the stage. Unsecured moving parts could shift and cause injury or damage to the equipment.

The mounting surface must be flat and have adequate stiffness to achieve the maximum performance from the stage. When it is mounted to a non-flat surface, the stage can be distorted while the mounting screws are tightened. This distortion will decrease overall accuracy. Adjustments to the mounting surface must be done before the stage is secured.

Inspect the mounting surface for dirt or unwanted residue and clean if necessary. Use precision flatstones on the mounting surface to remove any burrs or high spots. Clean the mounting surface with a lint-free cloth and acetone or isopropyl alcohol and allow the cleaning solvent to completely dry. Gently place the stage on the mounting surface.



**IMPORTANT:** The stage is precision machined and verified for flatness prior to product assembly at the factory. If machining is required to achieve the desired flatness, it should be performed on the mounting surface rather than the stage. Shimming should be avoided if possible. If shimming is required, it should be minimized to retain maximum rigidity of the system.

**Table 2-1: Stage Mounting Surface Flatness Requirement**

Stage Travel	Flatness Requirement
All Travels	1 $\mu$ m per 50 mm

Access the mounting holes in the base of the stage by sliding the carriage all the way to either end of travel (shown in [Figure 2-6](#)).

Tightening torque values for the mounting hardware are dependent on the properties of the surface to which the stage is being mounted. Values provided in [Table 2-2](#) are typical values and may not be accurate for your mounting surface. Refer to [Section 2.2](#) for mounting locations and dimensions.

**Table 2-2: Stage to Mounting Surface Hardware**

Mounting Hardware	Typical Screw Torque
M4 SHCS	2.0 N·m [18 lb·in]
M6 or (1/4") SHCS ([-MP] option)	7.0 N·m [61 lb·in]

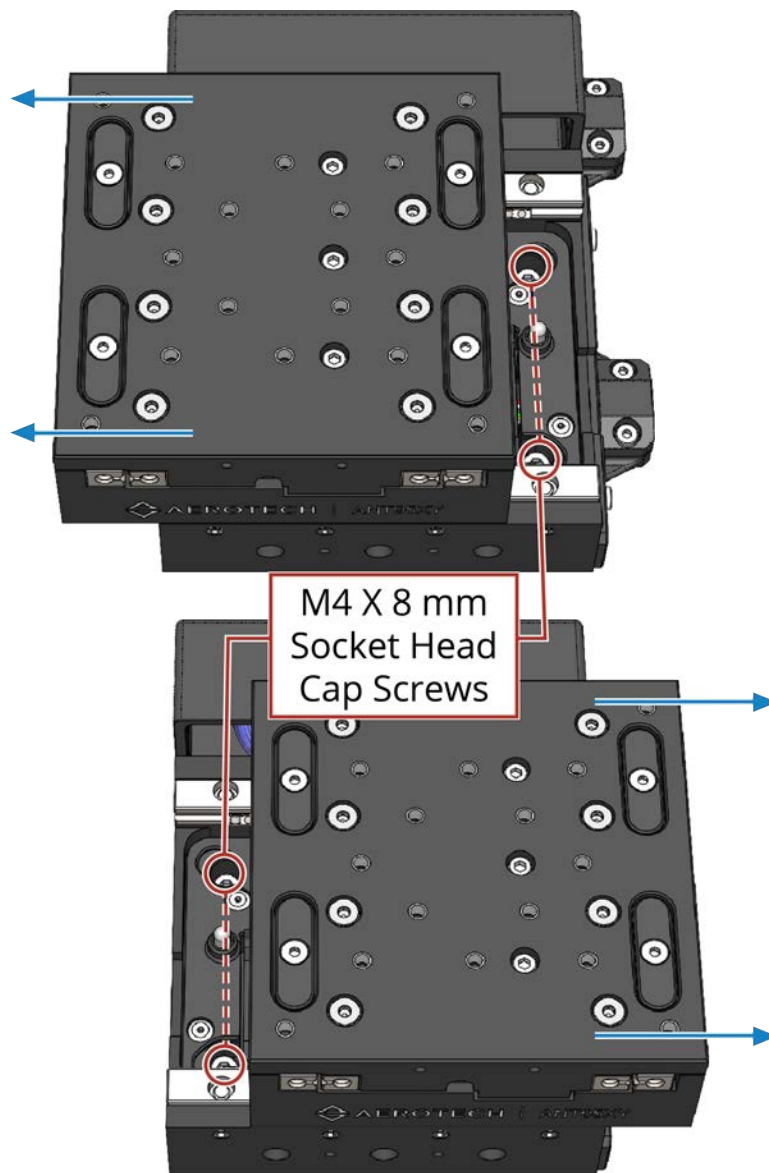


Figure 2-6: Mounting Hole Pattern

## 2.4. Attaching the Payload to the Stage

Inspect the mounting surface for dirt or unwanted residue and clean if necessary. Clean the mounting surface with a lint-free cloth and acetone or isopropyl alcohol and allow the cleaning solvent to completely dry. Gently place the stage on the mounting surface.

Use a representative payload during start-up to prevent accidental damage to the stage and the payload. Proceed with the electrical installation and test the motion control system in accordance with the system documentation. Document all results for future reference. For information on electrical installation refer to [Chapter 3: Electrical Installation](#) and the documentation delivered with the stage.



**IMPORTANT:** If your ANT95XY was purchased with Aerotech controls, it could have been tuned with a representative payload based on the information provided at the time of order. If you start the ANT95XY without a payload, the servo gains provided by Aerotech with the shipment may not be appropriate and servo instability can occur. Refer to the controller help file for tuning assistance.

The payload must be flat, rigid, and comparable to the stage in quality to maintain optimum performance.



**IMPORTANT:** For valid system performance, the mounting interface should be flat within 5  $\mu\text{m}$ .



**WARNING:** Be careful when you attach the payload to the stage table.

- If a screw extends through the stage table, it can affect travel and damage the stage.
- Refer to the dimensions in [Section 2.2.](#) for maximum allowable thread engagement.

Applied loads should be symmetrically distributed whenever possible. The payload should be centered on the stage table and the entire stage should be centered on the support structure.

Tightening torque values for the mounting hardware are dependent on the properties of the surface to which the stage is being mounted. Values provided in [Table 2-3](#) are typical values and may not be accurate for your mounting surface. Refer to [Section 2.2.](#) for mounting locations and dimensions.

**Table 2-3: Payload to Stage Surface Hardware**

Mounting Hardware	Typical Screw Torque
M4 SHCS	2.0 N·m [18 lb-in]



**IMPORTANT:** If possible, use 3-point mounting when you attach the payload to the stage.

If cantilevered loads are applied, refer to [Figure 2-7](#) to find the loading condition. Refer to [Figure 2-8](#) to find the maximum allowable load.

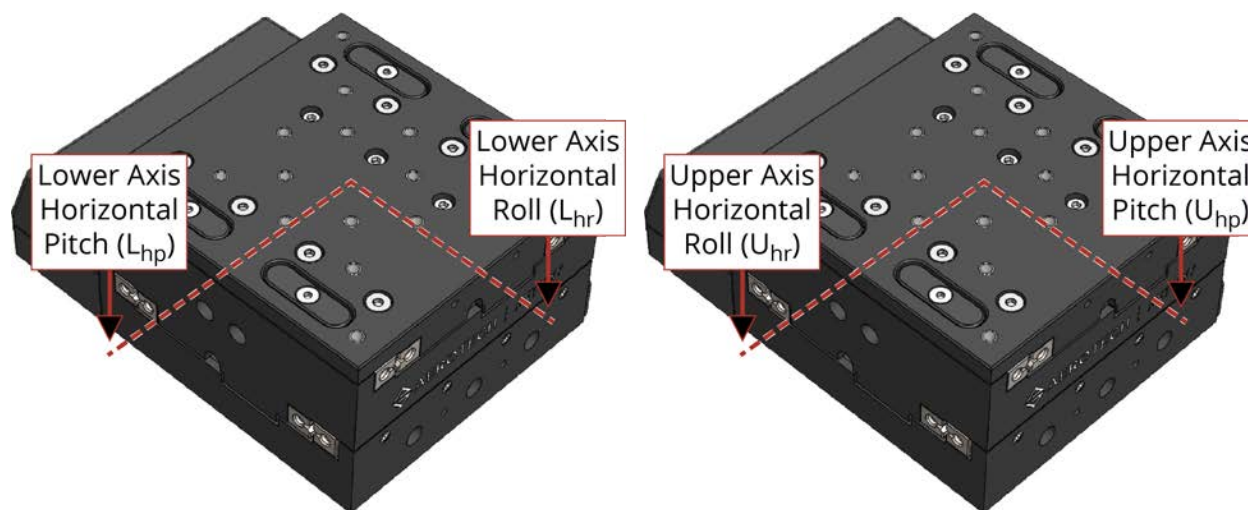


Figure 2-7: Load Orientations

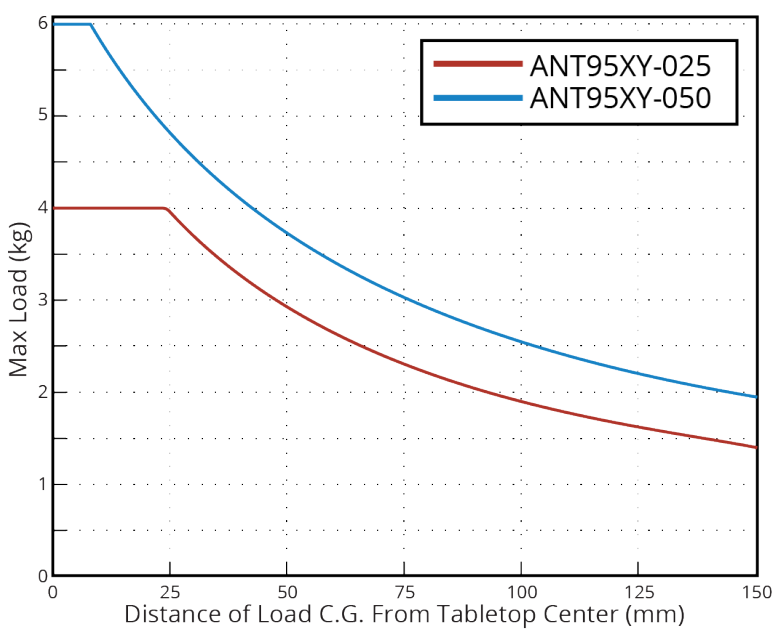


Figure 2-8: Cantilevered Load Capabilities

*This page intentionally left blank.*

## Chapter 3: Electrical Installation



**DANGER:** To decrease the risk of electrical shock, injury, death, and damage to the equipment, obey the precautions that follow.

- Restrict access to the stage when it is connected to a power source.
- Do not connect or disconnect electrical components, wires, and cables while this product is connected to a power source.
- Before you do maintenance to the equipment, disconnect the electrical power.
- Uncouple or otherwise prevent motor-coupled machinery movement when you do service to the equipment.
- Make sure that all components are grounded correctly and that they obey the local electrical safety requirements.
- The drive must contain a properly-sized fuse, matched to the motor cable wire size.
- Supply each operator with the necessary protection from live electrical circuits.



**WARNING:** Applications that require access to the ANT95XY must be restricted to qualified and trained personnel. The system integrator or qualified installer is responsible for determining and meeting all safety and compliance requirements when they integrate the ANT95XY into a completed system.

Electrical installation requirements will depend on the ordered product options. Installation instructions in this section are for Aerotech stages equipped with standard Aerotech motors intended for use with an Aerotech motion control system. Contact Aerotech for further information on products that are otherwise configured.

Aerotech motion control systems are adjusted at the factory for optimum performance. When the ANT95XY is part of a complete Aerotech motion control system, setup should only require that you connect the stage to the appropriate drive chassis with the cables provided. Labels on the system components should indicate the appropriate connections.

If system level integration was purchased, an electrical drawing that shows the system interconnects has been supplied with the system (separate from this documentation).

The electrical wiring from the motor and encoder are integrated at the factory. Refer to the sections that follow for standard motor wiring and connector pinouts.



**IMPORTANT:** Refer to the controller documentation to adjust servo gains for optimum velocity and position stability.

### 3.1. Motor and Feedback Connectors

Stages equipped with standard motors and encoders come from the factory completely wired and assembled.



**IMPORTANT:** Refer to the other documentation accompanying your Aerotech equipment. Call your Aerotech representative if there are any questions on system configuration.



**IMPORTANT:** If using standard Aerotech motors and cables, motor and encoder connection adjustments are not required.

The protective ground connection of the ANT95XY provides motor frame ground protection only. Additional grounding and safety precautions are required for applications requiring access to the stage while it is energized. The System Integrator or qualified installer is responsible for determining and meeting all safety and compliance requirements necessary for the integration of this stage into the final application.




**DANGER:** The protective ground connection must be properly installed to minimize the possibility of electric shock.



**DANGER:** The stage controller must provide over-current and over-speed protection. Failure to do so could cause electric shock or damage to the equipment.



**Table 3-1: 25-Pin Motor and Feedback Connector Pinout**

Pin	Description	Connector
Case	Shield Connection	
1	Key	
2	COS- (Encoder Cosine-)	
3	SIN- (Encoder Sine-)	
4	MRK- (Encoder Marker-)	
5	Common ground	
6	Common ground	
7	-/CCW LMT (The limit signal that shows the maximum permitted machine travel in negative or counterclockwise encoder counts.)	
8	Hall Effect Sensor (Phase A)	
9	Hall Effect Sensor (Phase C)	
10	Frame Ground	
11	Motor Phase A	
12	Motor Phase B	
13	Motor Phase C	
14	COS+ (Encoder Cosine+)	
15	SIN+ (Encoder Sine+)	
16	MRK+ (Encoder Marker+)	
17	5V Power Supply Input	
18	Reserved	
19	+/CW LMT (The limit signal that shows the maximum permitted machine travel in positive or clockwise encoder counts.)	
20	Over-Temperature Thermistor Sensor	
21	Hall Effect Sensor (Phase B)	
22	Shield Connection	
23	Motor Phase A	
24	Motor Phase B	
25	Motor Phase C	

**Table 3-2: 25-Pin Mating Connector Part Numbers**

Mating Connector	Aerotech P/N	Third Party P/N
25-Socket D-Connector	ECK00300	FCI DB25S064TLF
Backshell	ECK00656	Amphenol 17E-1726-2

### 3.2. Motor and Feedback Wiring

Shielded cables are required for the motor and feedback connections.

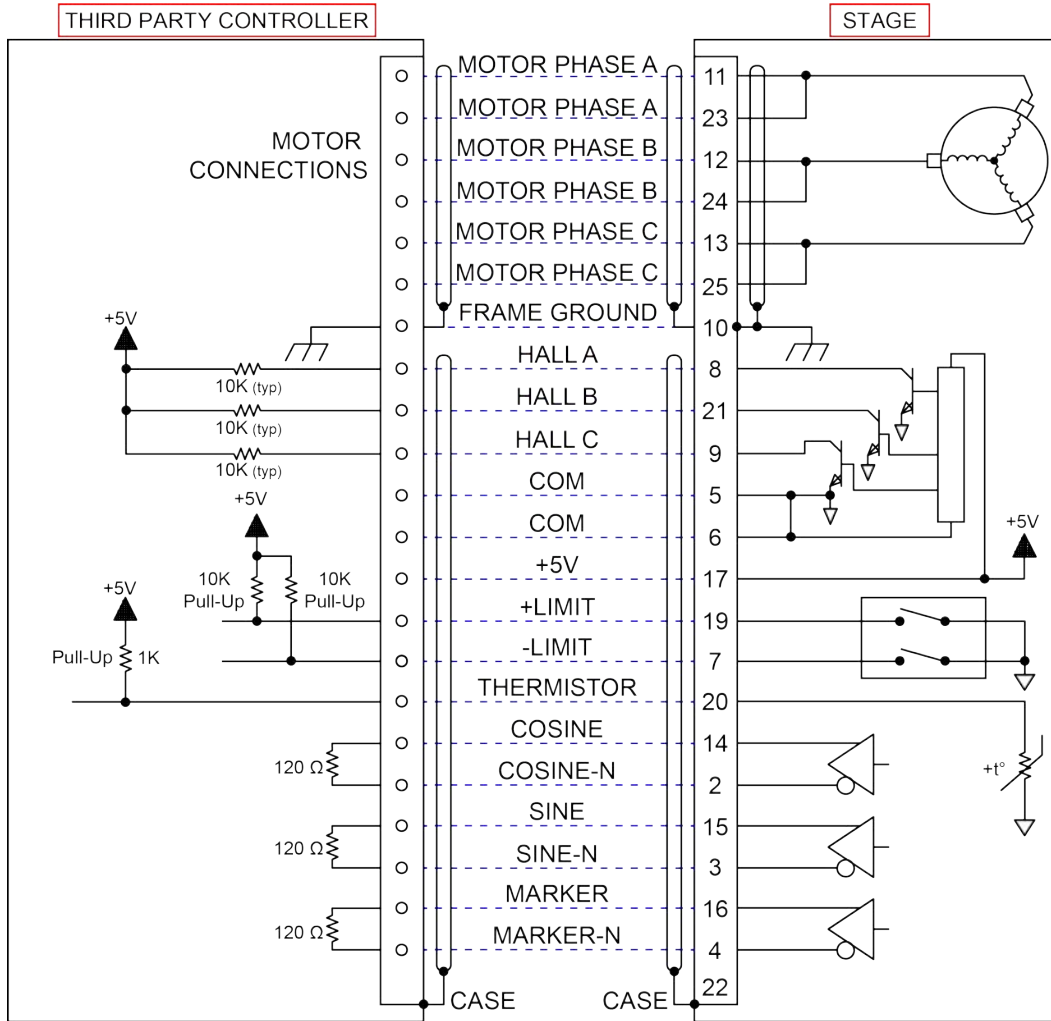


Figure 3-1: ANT95XY Motor and Feedback Wiring

### 3.3. Motor and Feedback Specifications



**IMPORTANT:** Specifications are per axis.

**Table 3-3: Hall-Effect Sensor Specifications**

	Specification
Supply Voltage	5 V $\pm$ 5%
Supply Current	50 mA
Output Type	Open Collector
Output Voltage	24 V max (pull up)
Output Current	5 mA (sinking)

**Table 3-4: Thermistor Specifications**

	Specification
Polarity	Logic "0" (no fault)
	Logic "1" (over-temperature fault)
Cold Resistance	$\sim$ 100 $\Omega$
Hot Resistance	$\sim$ 10 K
<b>Note:</b> 1K pull-up to +5V recommended.	

**Table 3-5: Encoder Specifications**

	Specification
Supply Voltage	5 V $\pm$ 5%
Supply Current	250 mA (typical)
Output Signals	<b>Sinusoidal Type (Incremental Encoder):</b> 1 V <sub>pk-pk</sub> into 120 $\Omega$ Load (differential signals SIN+, SIN-, COS+, COS- are .5 V <sub>pk-pk</sub> relative to ground.)
	<b>Digital Output (Incremental Encoder):</b> RS422/485 compatible

**Table 3-6: Limit Switch Specifications**

	Specification
Supply Voltage	5 V $\pm$ 5%
Supply Current	25 mA
Output Type	Open Collector
Output Voltage	5 V
Output Current	10 mA (sinking)
Output Polarity (Factory Configured)	<b>Normally Closed (NC)</b>
	<ul style="list-style-type: none"> <li>Sinks current to ground (Logic "0") when not in limit</li> <li>High impedance (Logic "1") when in limit</li> <li>Requires external pull-up to +5 V (10 k<math>\Omega</math> recommended)</li> </ul>
<b>Note:</b> If the ANT95XY is driven beyond the electrical limit, it will encounter a mechanical stop. Impacting the mechanical stop could cause damage to the stage even at low speeds.	

**Table 3-7: ANT95XY Motor Specifications**

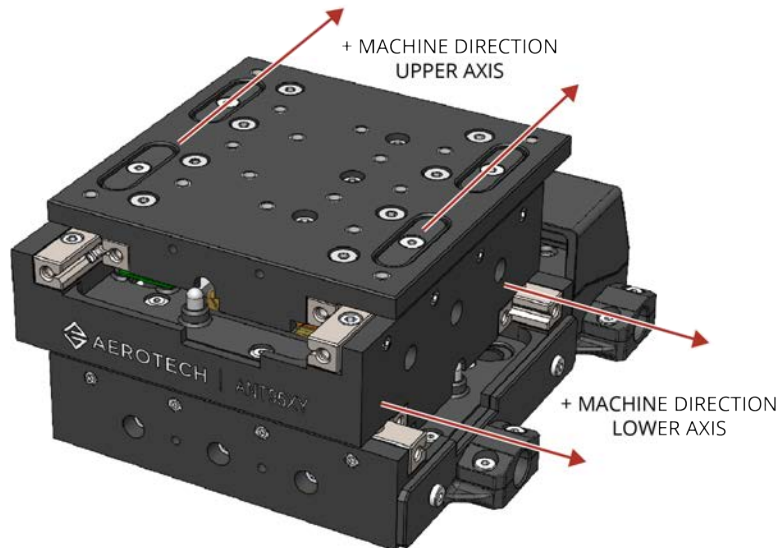
		Linear Motor [ANT95XY-025]	Linear Motor [ANT95XY-050]
<b>Performance Specifications<sup>(1,5)</sup></b>			
Continuous Force <sup>(2)</sup>	N (lb)	7.7 (1.73)	9.7 (2.17)
<b>Electrical Specifications<sup>(5)</sup></b>			
Winding Designation		-A	-A
BEMF Constant (Line to Line, Max)	V/m/s (V/in/s)	2.86 (0.07)	3.78 (0.10)
Continuous Current <sup>(2)</sup>	Amp <sub>pk</sub> (Amp <sub>rms</sub> )	3.10 (2.19)	2.94 (2.08)
Peak Current, Stall <sup>(3)</sup>	Amp <sub>pk</sub> (Amp <sub>rms</sub> )	12.40 (8.77)	11.76 (8.31)
Force Constant, Sine Drive <sup>(4, 8)</sup>	N/Amp <sub>pk</sub> (lb/Amp <sub>pk</sub> )	2.48 (0.56)	3.28 (0.74)
	N/Amp <sub>rms</sub> (lb/Amp <sub>rms</sub> )	3.51 (0.79)	4.65 (1.05)
Motor Constant <sup>(2,4)</sup>	N/√W (lb/√W)	1.21 (0.27)	1.41 (0.32)
Resistance, 25°C (Line to Line)	ohms	4.0	5.2
Inductance (Line to Line)	mH	0.51	0.70
Thermal Resistance	°C/W	2.48	2.12
Maximum Bus Voltage	VDC	80	80
Magnetic Pole Pitch	mm (in)	16.00 (0.63)	16.00 (0.63)
<p>1. Performance is dependent upon heat sink configuration, system cooling conditions, and ambient temperature</p> <p>2. Values shown @ 100°C rise above a 25°C ambient temperature, with motor mounted to the specified aluminum heat sink.</p> <p>3. Peak force assumes correct rms current; consult Aerotech.</p> <p>4. Force constant and motor constant specified at stall</p> <p>5. All performance and electrical specifications ±10%</p> <p>6. Maximum winding temperature is 125°C.</p> <p>7. Ambient operating temperature range 0 °C - 25 °C; consult Aerotech for performance in elevated ambient temperatures</p> <p>8. All Aerotech amplifiers are rated Apk; use force constant in N·m/Apk when sizing.</p>			

**Table 3-8: Encoder Resolution**

Encoder Option	Fundamental Signal Period	Resolution
[-E1] w/ x4000 Interpolation	20 micron	5 nm
[-E1] w/ x16000 Interpolation	20 micron	1.25 nm
[-E2]	20 micron	5 nm
[-E4] w/ x4000 Interpolation	4 micron	1 nm
[-E4] w/ x16000 Interpolation	4 micron	0.25 nm

### 3.4. Limits, Marker, and Machine Direction

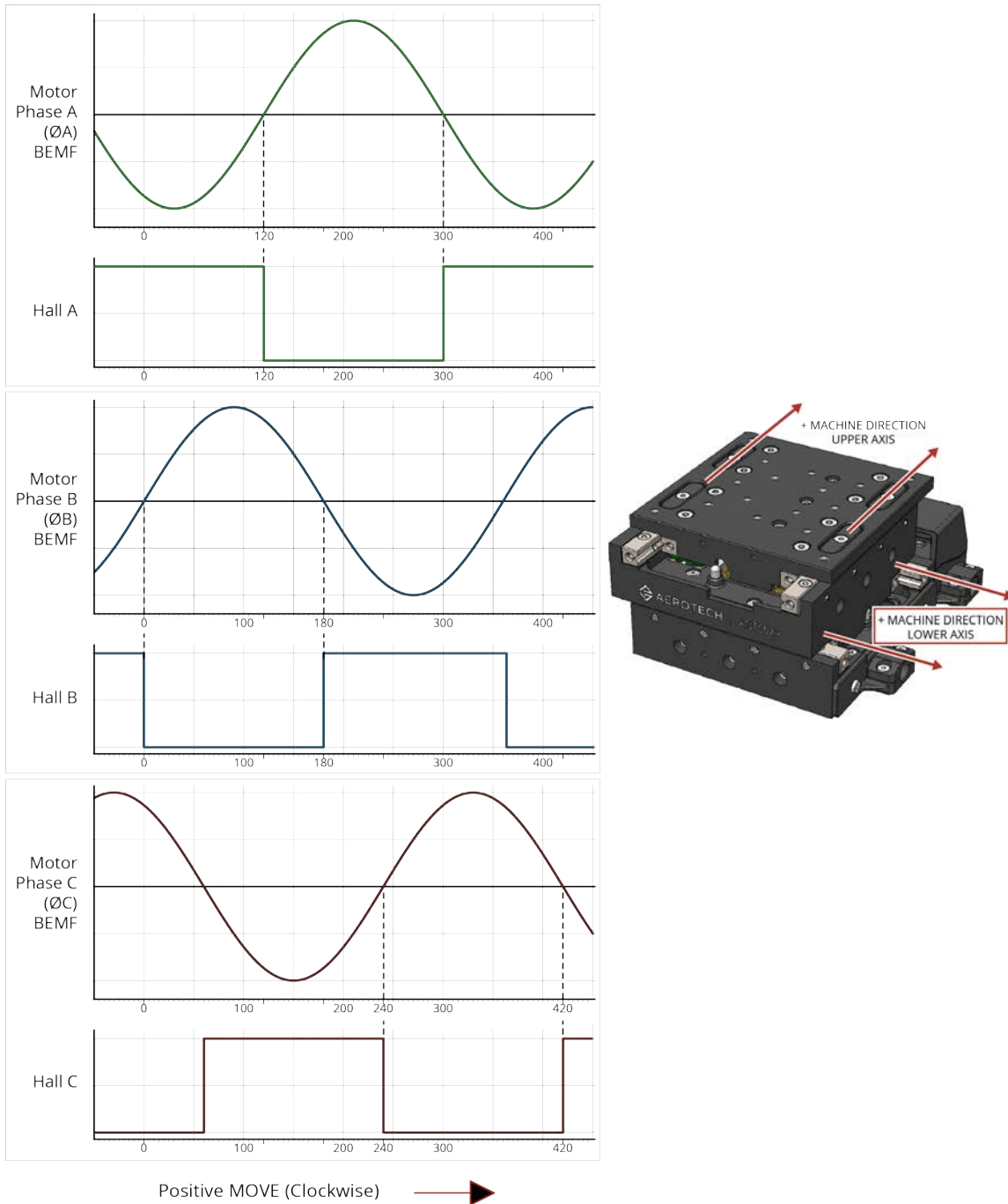
Aerotech stages are configured to have positive and negative "machine" directions. The machine direction defines the phasing of the feedback and motor signals and is dictated by the stage wiring (refer to [Section 3.2.](#)). Programming direction of a stage is set by the controller that is used to move the stage. Programming direction is typically selectable in the controller, while machine direction is hardwired in the stage. [Figure 3-2](#) shows the machine direction of ANT95XY stages.



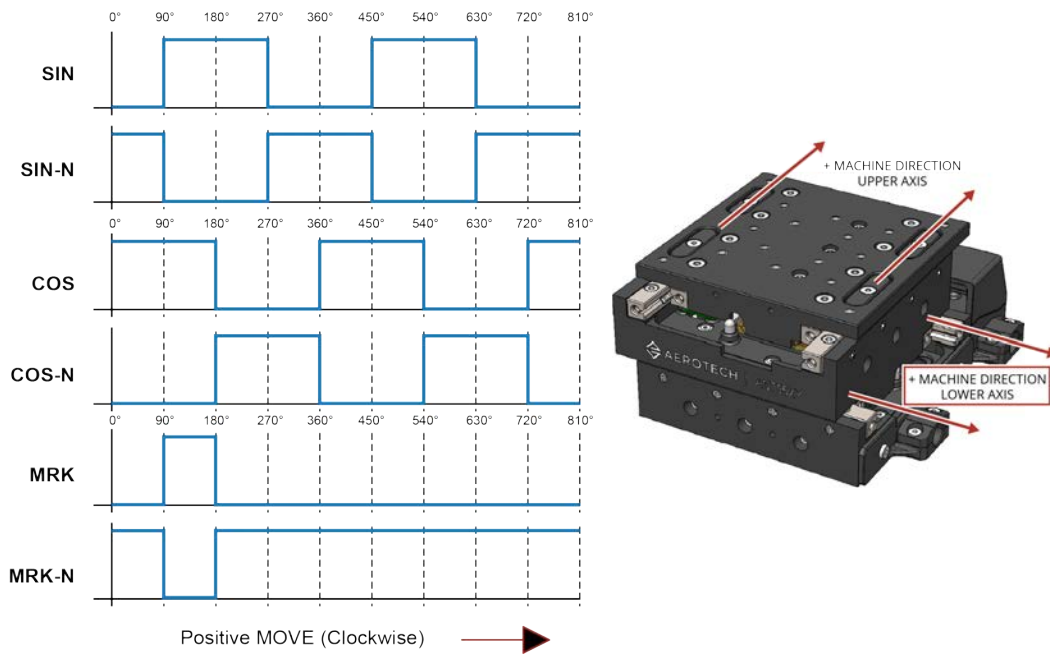
**Figure 3-2: Machine Direction**

### 3.5. Motor and Feedback Phasing

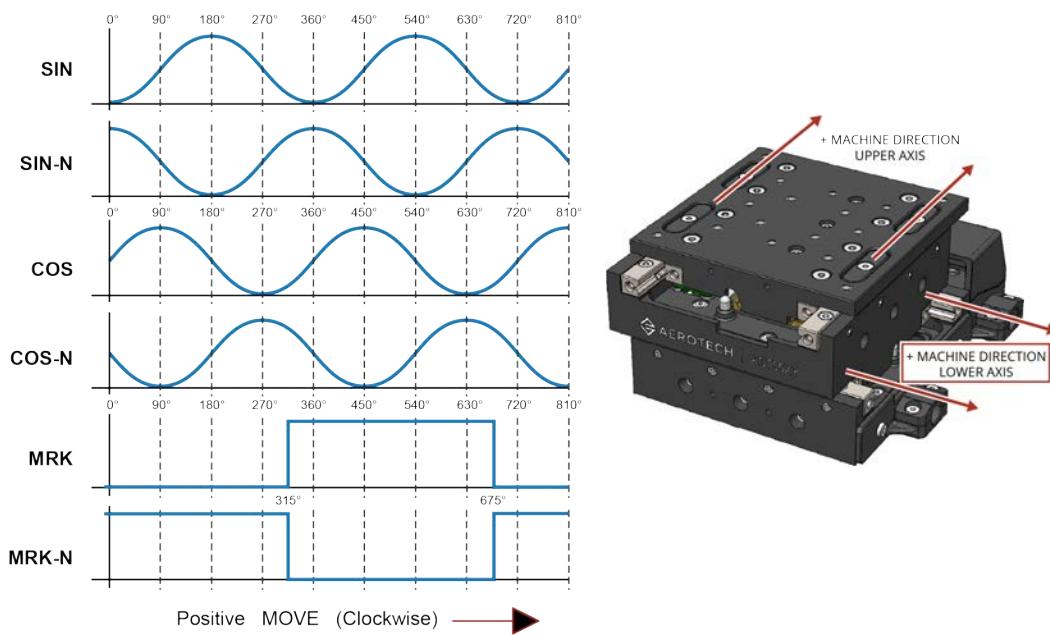
Motor phase voltage is measured relative to the virtual wye common point.



**Figure 3-3: Hall Phasing Diagram**



**Figure 3-4: Encoder Phasing Reference Diagram (Standard/Square Wave)**



**Figure 3-5: Encoder Phasing Reference Diagram (Analog/Sine Wave)**

*This page intentionally left blank.*



## Chapter 4: Maintenance



**DANGER:** To decrease the risk of electrical shock, injury, death, and damage to the equipment, obey the precautions that follow.

- Do not connect or disconnect electrical components, wires, and cables while this product is connected to a power source.
- Before you do maintenance to the equipment, disconnect the electrical power.
- Uncouple or otherwise prevent motor-coupled machinery movement when you do service to the equipment.



**IMPORTANT:** Keep the bearing area free of foreign matter and moisture or the performance and life expectancy of the stage will be reduced.

### 4.1. Service and Inspection Schedule

Inspect the ANT95XY at least once per month. The need for a longer or shorter inspection interval will depend on the application and conditions, such as the duty cycle, speed, and environment.

Monthly inspections should include but not be limited to:

- Visually inspect the stage and cables.
- Re-tighten loose connectors.
- Replace or repair damaged cables.
- Clean the ANT95XY and any components and cables as needed.
- Repair any damage before operating the ANT95XY.
- Inspect and perform an operational check on all safeguards and protective devices.

## 4.2. Cleaning and Lubrication



**DANGER:** Before you do maintenance to the equipment, disconnect the electrical power.

In general, if the stage operates in a clean environment, it should be cleaned and lubricated annually or every 500 km (whichever comes first). For stages that are operated under conditions with excessive debris, the stage should be cleaned every six months. For high-speed applications (those near max speed at a duty cycle of 50%), more frequent maintenance with standard lubricants will be required.

When you clean and/or lubricate components of the ANT95XY series stage:

1. Be sure to use a clean, dry, soft, lint-free cloth for cleaning.
2. Before you use a cleaning solvent on any part of the stage, blow away small particles and dust with clean, dry, compressed air.
3. Take the opportunity during the lubrication procedure to inspect the motion guides or bearings for any damage or signs of wear.
4. In applications that have multiple stages bolted together to form multi-axis systems, the orthogonality may be lost if the stage tables of the support stages are loosened. Precision aligned stages should not be loosened or disassembled.
5. We recommend that you do not disassemble the stage beyond the instructions given in this manual. Proper assembly and calibration can only be done at the factory. Contact Aerotech for more information.

### Cleaning

Use isopropyl alcohol on a lint-free cloth to clean any external metal surface of the ANT95XY.



**WARNING:** Make sure that all solvent has completely evaporated before you move the stage.

### Lubrication

You should only use Kluberplex BEM 34-132 as the standard lubricant for ANT95XY stages.

If the application process uses only a small portion of travel for most of the duty cycle, periodically drive the stage through full travel to redistribute the lubrication in the bearings.



**IMPORTANT:** During the lubrication procedure, inspect the linear motion guides for damage or signs of wear.

1. Drive the lower axis to one end of travel and remove power to the stage.
2. Remove any accumulated dust or debris that is visible inside of the assembly.
3. Remove any dirty or dried lubricant from the v-channels of the linear bearing rails.
  - Use a clean, lint-free cloth with a side-to-side motion.
  - Use a swab soaked in Isopropyl Alcohol to remove stubborn debris.
4. Apply a thin, continuous film of lubricant to the exposed v-channels of the cross rollers on both ends of the stage.
  - Aerotech recommends that you use a good quality, natural bristle artist's brush for the applicator.
  - Do not use any applicator that could scratch or otherwise damage the v-channels.
5. Manually move the stage to the opposite end of travel.
  - This will work the grease into the linear bearing guides.
  - The stage table should move freely with little resistance.
6. Repeat steps 2 through 4 for any areas covered by the original table position.
7. Repeat steps 1 through 6 for the upper axis.
8. Restore power to the stage and drive the stage table back to its original position to redistribute lubricants.

### 4.3. Troubleshooting

Symptom	Possible Cause and Solution
Stage will not move	Shipping brackets still installed. Remove the red anodized shipping brackets. Brake not released (if equipped with brake; refer to stage documentation). In Limit condition. Check limits (refer to <a href="#">Chapter 3: Electrical Installation</a> ) and refer to the Controller documentation for polarity and compatibility requirements (Example: voltage requirements). Controller trap or fault (refer to the Controller documentation).
Stage moves uncontrollably	Encoder (sine and cosine) signal connections (refer to <a href="#">Chapter 3: Electrical Installation</a> and Controller documentation). Motor Connections (refer to <a href="#">Chapter 3: Electrical Installation</a> and the Controller documentation).
Stage oscillates or squeals	Gains misadjusted (refer to the Controller documentation). Encoder signals (refer to the Controller documentation).

## Appendix A: Warranty and Field Service

Aerotech, Inc. warrants its products to be free from harmful defects caused by faulty materials or poor workmanship for a minimum period of one year from date of shipment from Aerotech. Aerotech's liability is limited to replacing, repairing or issuing credit, at its option, for any products that are returned by the original purchaser during the warranty period. Aerotech makes no warranty that its products are fit for the use or purpose to which they may be put by the buyer, whether or not such use or purpose has been disclosed to Aerotech in specifications or drawings previously or subsequently provided, or whether or not Aerotech's products are specifically designed and/or manufactured for buyer's use or purpose. Aerotech's liability on any claim for loss or damage arising out of the sale, resale, or use of any of its products shall in no event exceed the selling price of the unit.

THE EXPRESS WARRANTY SET FORTH HEREIN IS IN LIEU OF AND EXCLUDES ALL OTHER WARRANTIES, EXPRESSED OR IMPLIED, BY OPERATION OF LAW OR OTHERWISE. IN NO EVENT SHALL AEROTECH BE LIABLE FOR CONSEQUENTIAL OR SPECIAL DAMAGES.

### Return Products Procedure

Claims for shipment damage (evident or concealed) must be filed with the carrier by the buyer. Aerotech must be notified within thirty (30) days of shipment of incorrect material. No product may be returned, whether in warranty or out of warranty, without first obtaining approval from Aerotech. No credit will be given nor repairs made for products returned without such approval. A "Return Materials Authorization (RMA)" number must accompany any returned product(s). The RMA number may be obtained by calling an Aerotech service center or by submitting the appropriate request available on our website ([www.aerotech.com](http://www.aerotech.com)). Products must be returned, prepaid, to an Aerotech service center (no C.O.D. or Collect Freight accepted). The status of any product returned later than thirty (30) days after the issuance of a return authorization number will be subject to review.

Visit [Global Technical Support Portal](#) for the location of your nearest Aerotech Service center.

### Returned Product Warranty Determination

After Aerotech's examination, warranty or out-of-warranty status will be determined. If upon Aerotech's examination a warranted defect exists, then the product(s) will be repaired at no charge and shipped, prepaid, back to the buyer. If the buyer desires an expedited method of return, the product(s) will be shipped collect. Warranty repairs do not extend the original warranty period.

**Fixed Fee Repairs** - Products having fixed-fee pricing will require a valid purchase order or credit card particulars before any service work can begin.

**All Other Repairs** - After Aerotech's evaluation, the buyer shall be notified of the repair cost. At such time the buyer must issue a valid purchase order to cover the cost of the repair and freight, or authorize the product(s) to be shipped back as is, at the buyer's expense. Failure to obtain a purchase order number or approval within thirty (30) days of notification will result in the product(s) being returned as is, at the buyer's expense.

Repair work is warranted for ninety (90) days from date of shipment. Replacement components are warranted for one year from date of shipment.

### Rush Service

At times, the buyer may desire to expedite a repair. Regardless of warranty or out-of-warranty status, the buyer must issue a valid purchase order to cover the added rush service cost. Rush service is subject to Aerotech's approval.

### On-site Warranty Repair

If an Aerotech product cannot be made functional by telephone assistance or by sending and having the customer install replacement parts, and cannot be returned to the Aerotech service center for repair, and if Aerotech determines the problem could be warranty-related, then the following policy applies:

Aerotech will provide an on-site Field Service Representative in a reasonable amount of time, provided that the customer issues a valid purchase order to Aerotech covering all transportation and subsistence costs. For warranty field repairs, the customer will not be charged for the cost of labor and material. If service is rendered at times other than normal work periods, then special rates apply.

If during the on-site repair it is determined the problem is not warranty related, then the terms and conditions stated in the following "On-Site Non-Warranty Repair" section apply.

### On-site Non-Warranty Repair

If any Aerotech product cannot be made functional by telephone assistance or purchased replacement parts, and cannot be returned to the Aerotech service center for repair, then the following field service policy applies:

Aerotech will provide an on-site Field Service Representative in a reasonable amount of time, provided that the customer issues a valid purchase order to Aerotech covering all transportation and subsistence costs and the prevailing labor cost, including travel time, necessary to complete the repair.

### Service Locations

<http://www.aerotech.com/contact-sales.aspx?mapState=showMap>

#### **USA, CANADA, MEXICO**

Aerotech, Inc.  
Global Headquarters

#### **CHINA**

Aerotech China  
Full-Service Subsidiary

#### **GERMANY**

Aerotech Germany  
Full-Service Subsidiary

#### **TAIWAN**

Aerotech Taiwan  
Full-Service Subsidiary

#### **UNITED KINGDOM**

Aerotech United Kingdom  
Full-Service Subsidiary

## Appendix B: Revision History

Revision	Description
2.00	<ul style="list-style-type: none"><li>• Product update to Gen 2 version of ANT95XY</li><li>• Declaration of Conformity updated</li></ul>
1.04	Dimension drawings updated
1.03	<ul style="list-style-type: none"><li>• Product update</li><li>• Safety information updated</li><li>• General revision</li></ul>
1.02	<ul style="list-style-type: none"><li>• Added Declaration of Incorporation</li><li>• Added Environmental Specifications section</li><li>• Added safety information and warnings</li><li>• Added note about current requirements of motor and ground wires</li></ul>
1.01	Added stage limit travel dimension
1.00	New manual

*This page intentionally left blank.*



**Index**

			<b>I</b>	
			Inspection Schedule	33
			isopropyl alcohol	34
	<b>2</b>			
2006/42/EC		9		
2011/65/EU		9		
	<b>A</b>		<b>L</b>	
Accuracy and Temperature Effects		12	label	15
Accuracy of the Ballscrew		12	Limit Switch Specifications	27
Altitude		12	lubricant	
Ambient Temperature		12	vacuum	14
Attaching the Payload		20	Lubrication	35
	<b>B</b>			
Braycote® 602EF		14		
	<b>C</b>		<b>M</b>	
cleaning			mounting surface	
mounting surface	18,20		cleaning	18,20
Cleaning	34		securing stage	18
cleaning solvent	34		multiaxis combinations	34
	<b>D</b>			
Dimensions	16			
Directive 2006/42/EC	9		<b>P</b>	
	<b>E</b>		part number	15
Electrical Installation	23		Possible Cause	36
EN 60204-1 2010	9		Protection Rating	12
EN ISO 12100 2010	9		protective ground connection	24
Encoder Specifications	27			
EU 2015/863	9		<b>S</b>	
	<b>G</b>		serial number	15
grease	14		shimming	18
	<b>H</b>		Solution	36
Hall-Effect Sensors Specifications	27		solvents	34
Humidity	12		Specifications	13
			Encoder	27
			Hall-Effect Sensors	27
			Limit Switch	27
			Thermistor Specifications	27
			stabilizing stage	15
			stage	
			distortion	18
			stabilizing	15
			Symptom	36
			<b>T</b>	
			Table of Contents	3
			Temperature Effects	12

Thermistor Specifications	27
Troubleshooting	36

**U**

Unpacking and Handling the Stage	15
----------------------------------	----

**V**

vacuum guidelines	14
vacuum lubricant (Braycote 602EF)	14
Vacuum Operation	14
Vibration	12

**W**

Warnings	7
Warranty and Field Service	37